

**GIRASOLED**

**GIRASOLED**

[www.girasoled.com](http://www.girasoled.com)



SOLAR FLOOD LIGHT



SOLAR STREET LIGHT



SOLAR WALL LIGHT



SOLAR STREET LIGHT



SOLAR GARDEN LIGHT



SOLAR WORK LIGHT

**2024.10**

**LEDS BRIGHT LIGHTING TECHNOLOGY CO., LIMITED**



(WhatsApp)



(WeChat)

Address: No.22 Xinmao Industrial Park, Henglan, Zhongshan City, Guangdong, China 528478  
Email: [sales@girasoled.com](mailto:sales@girasoled.com)

Mobile/WhatsApp/WeChat: +86-139 6879 5482 (Eric Chen)  
Mobile/WhatsApp/WeChat: +86-139 6085 2980 (Jenny Zhang)

  
**SOLAR LIGHT**

LEDS BRIGHT LIGHTING TECHNOLOGY CO., LIMITED



# About us ▼

## PRODUCTION ▶

- 300,000pcs Monthly Production Capacity
- 20 Production Lines
- 30000+ m<sup>2</sup> Area
- 400+ Employees

## R&D ▶

- 25 People of R&D team
- 13 Years Experience In LED Product

## QUALITY ▶

- QC in Charge of 20 Production Lines
- 3 Times Quality Inspection During Production of Each Order

## SERVICE ▶

- 20 Salesmen
- 5 Years Average Working Age
- 25 Days for Mass Order





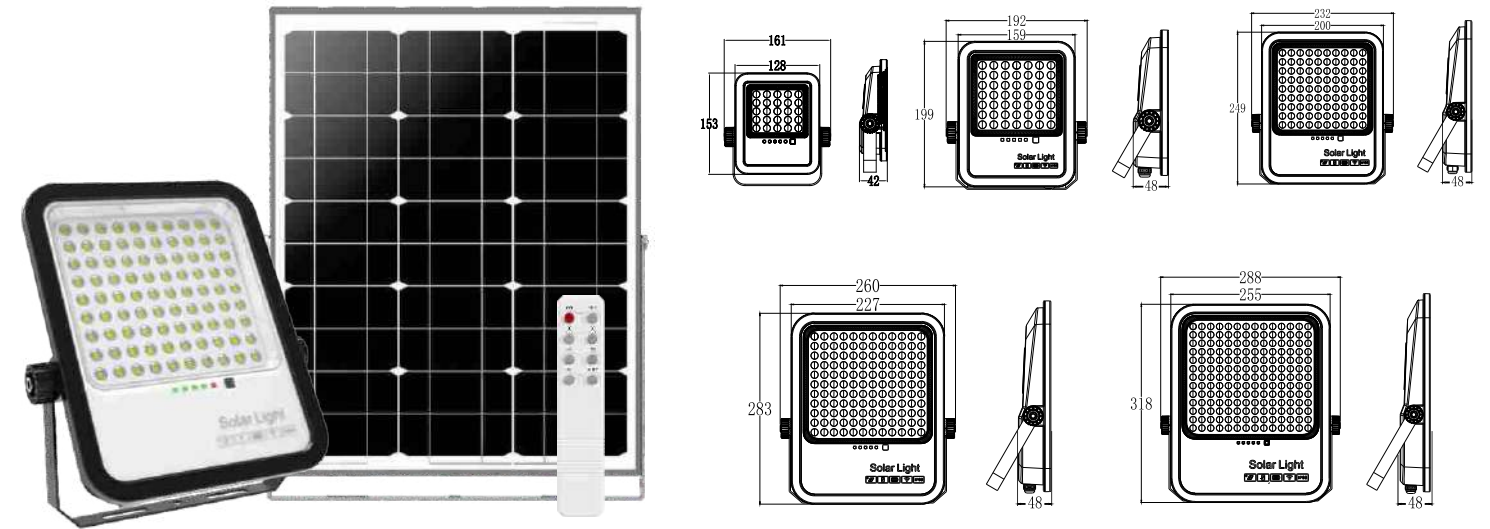
# Solar Flood Light

## RYTJ Series

New battery, Modern design  
High efficiency Solar Panel.



## RYTJ Series



### PRODUCT ADVANTAGES AND FEATURES

- ▶ Highlight
- ▶ ABS+PC
- ▶ IP65
- ▶ New Battery

Model NO.	Lumen	Battery/Solar Panel	Lamp Size
RYTJ-025W	210lm	1.8AH 3.2V / 3W 5V	153x128x42mm
RYTJ-050W	550lm	4AH 3.2V / 5W 5V	199x159x48mm
RYTJ-100W	1100lm	8AH 3.2V / 10W 5V	199x159x48mm
RYTJ-150W	1650lm	12AH 3.2V / 15W 5V	249x200x48mm
RYTJ-200W	2200lm	16AH 3.2V / 18W 5V	249x200x48mm
RYTJ-250W	2750lm	20AH 3.2V / 20W 5V	283x227x48mm
RYTJ-300W	3300lm	24AH 3.2V / 25W 5V	283x227x48mm
RYTJ-350W	3850lm	28AH 3.2V / 30W 5V	318x255x48mm
RYTJ-400W	4400lm	32AH 3.2V / 35W 5V	318x255x48mm



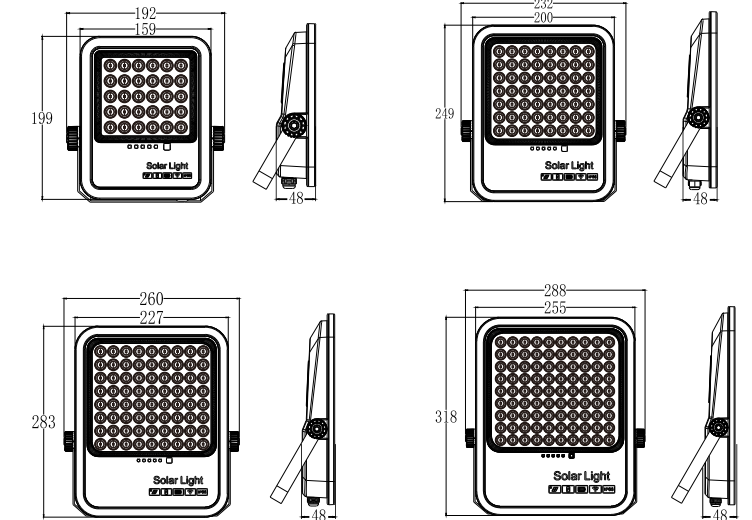
# Solar Flood Light

## RYTJ(II) Series

New battery, Modern design  
High efficiency Solar Panel.



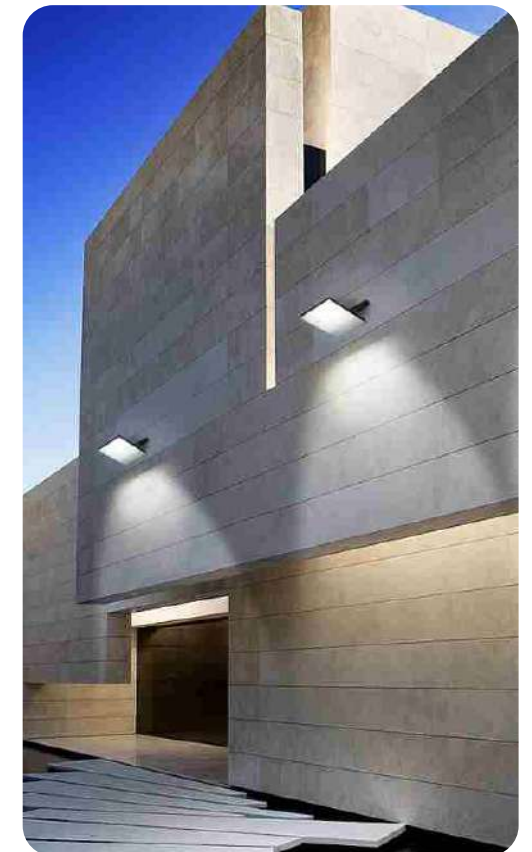
## RYTJ02 Series



### PRODUCT ADVANTAGES AND FEATURES

- ▶ Highlight
- ▶ ABS+PC
- ▶ IP65
- ▶ New Battery

Model NO.	Lumen	Battery/Solar Panel	Lamp Size
RYTJ02-050W	550lm	6W/5V	199x159x48mm
RYTJ02-100W	1100lm	10W/5V	199x159x48mm
RYTJ02-150W	1650lm	15W/5V	249x200x48mm
RYTJ02-200W	2200lm	18W/5V	249x200x48mm
RYTJ02-250W	2750lm	20W/5V	283x227x48mm
RYTJ02-300W	3300lm	25W/5V	283x227x48mm
RYTJ02-350W	3850lm	30W/5V	318x255x48mm
RYTJ02-400W	4400lm	35W/5V	318x255x48mm



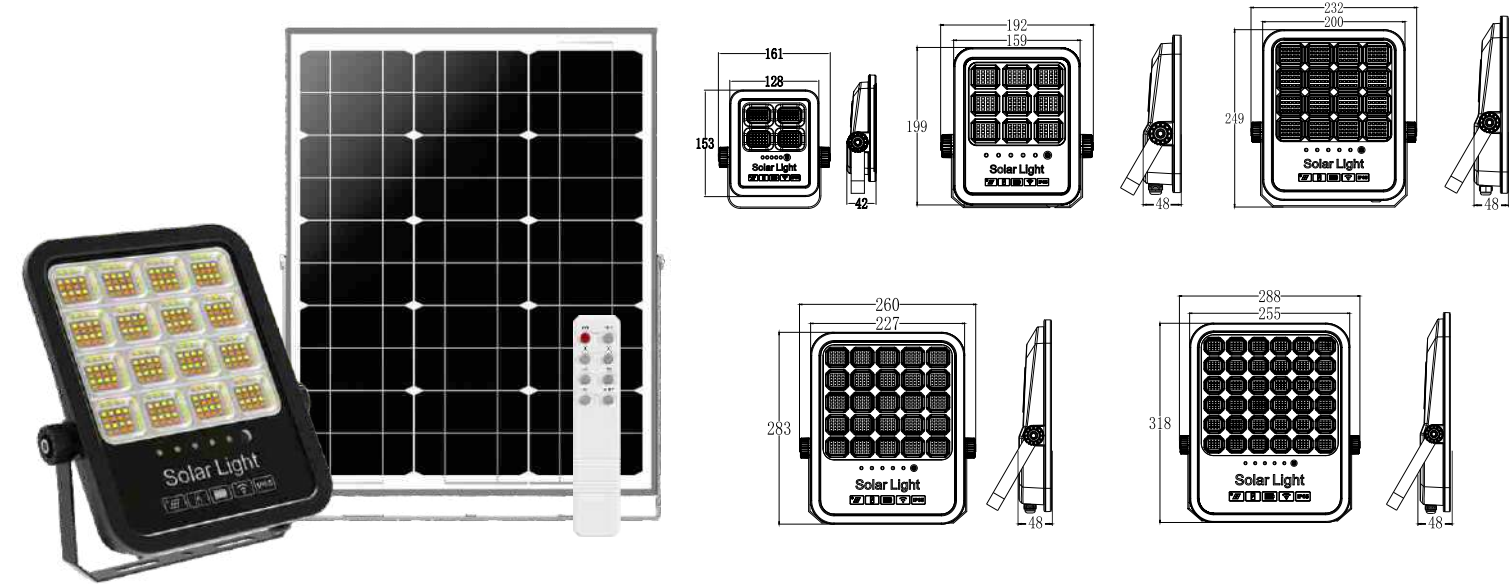
# Solar Flood Light

## RYYX Series

New battery, Modern design  
High efficiency Solar Panel.



## RYYX Series



### PRODUCT ADVANTAGES AND FEATURES

- ▶ Highlight
- ▶ ABS+Glass
- ▶ IP65
- ▶ New Battery

Model NO.	Lumen	Battery/Solar Panel	Lamp Size
RYYX-025W	210lm	1.8AH 3.2V / 3W 5V	153x128x42mm
RYYX-050W	550lm	4AH 3.2V / 5W 5V	199x159x48mm
RYYX-100W	1100lm	8AH 3.2V / 10W 5V	199x159x48mm
RYYX-150W	1650lm	12AH 3.2V / 15W 5V	249x200x48mm
RYYX-200W	2200lm	16AH 3.2V / 18W 5V	249x200x48mm
RYYX-250W	2750lm	20AH 3.2V / 20W 5V	283x227x48mm
RYYX-300W	3300lm	24AH 3.2V / 25W 5V	283x227x48mm
RYYX-350W	3850lm	28AH 3.2V / 30W 5V	318x255x48mm
RYYX-400W	4400lm	32AH 3.2V / 35W 5V	318x255x48mm



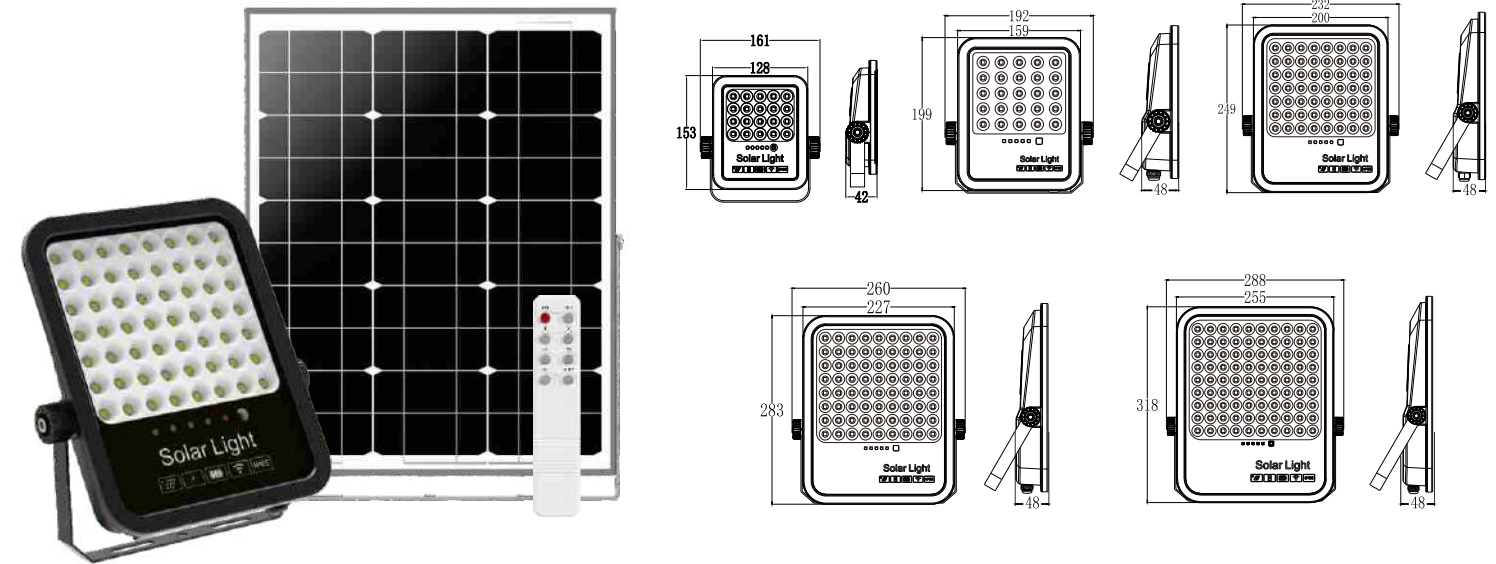
# Solar Flood Light

## RYFX Series

New battery, Modern design  
High efficiency Solar Panel.



## RYFX Series



### PRODUCT ADVANTAGES AND FEATURES

- ▶ Highlight
- ▶ ABS+Glass
- ▶ IP65
- ▶ New Battery

Model NO.	Lumen	Battery/Solar Panel	Lamp Size
RYFX-025W	210lm	1.8AH 3.2V / 3W 5V	153x128x42mm
RYFX-050W	550lm	4AH 3.2V / 5W 5V	199x159x48mm
RYFX-100W	1100lm	8AH 3.2V / 10W 5V	199x159x48mm
RYFX-150W	1650lm	12AH 3.2V / 15W 5V	249x200x48mm
RYFX-200W	2200lm	16AH 3.2V / 18W 5V	249x200x48mm
RYFX-250W	2750lm	20AH 3.2V / 20W 5V	283x227x48mm
RYFX-300W	3300lm	24AH 3.2V / 25W 5V	283x227x48mm
RYFX-350W	3850lm	28AH 3.2V / 30W 5V	318x255x48mm
RYFX-400W	4400lm	32AH 3.2V / 35W 5V	318x255x48mm



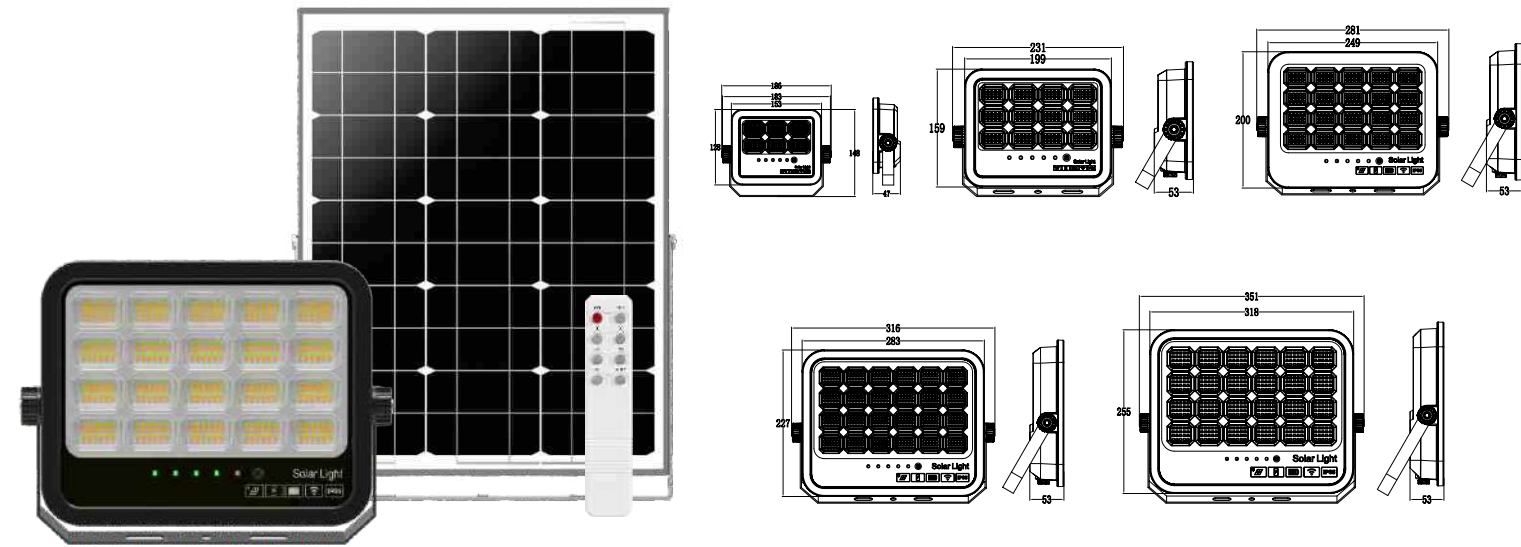
# Solar Flood Light

## RXH-YX Series

New battery, Modern design  
High efficiency Solar Panel.



## RXH-YX Series



### PRODUCT ADVANTAGES AND FEATURES

- ▶ Highlight
- ▶ ABS+Glass
- ▶ IP65
- ▶ New Battery

Model NO.	Lumen	Battery/Solar Panel	Lamp Size
RYH-YX-025W	210lm	1.8AH 3.2V / 3W 5V	128x183x47mm
RYH-YX-050W	550lm	4AH 3.2V / 5W 5V	159x199x53mm
RYH-YX-100W	1100lm	8AH 3.2V / 10W 5V	159x199x53mm
RYH-YX-150W	1650lm	12AH 3.2V / 15W 5V	200x249x53mm
RYH-YX-200W	2200lm	16AH 3.2V / 18W 5V	200x249x53mm
RYH-YX-250W	2750lm	20AH 3.2V / 20W 5V	227x283x53mm
RYH-YX-300W	3300lm	24AH 3.2V / 25W 5V	227x283x53mm
RYH-YX-350W	3850lm	28AH 3.2V / 30W 5V	255x318x53mm
RYH-YX-400W	4400lm	32AH 3.2V / 35W 5V	255x318x53mm





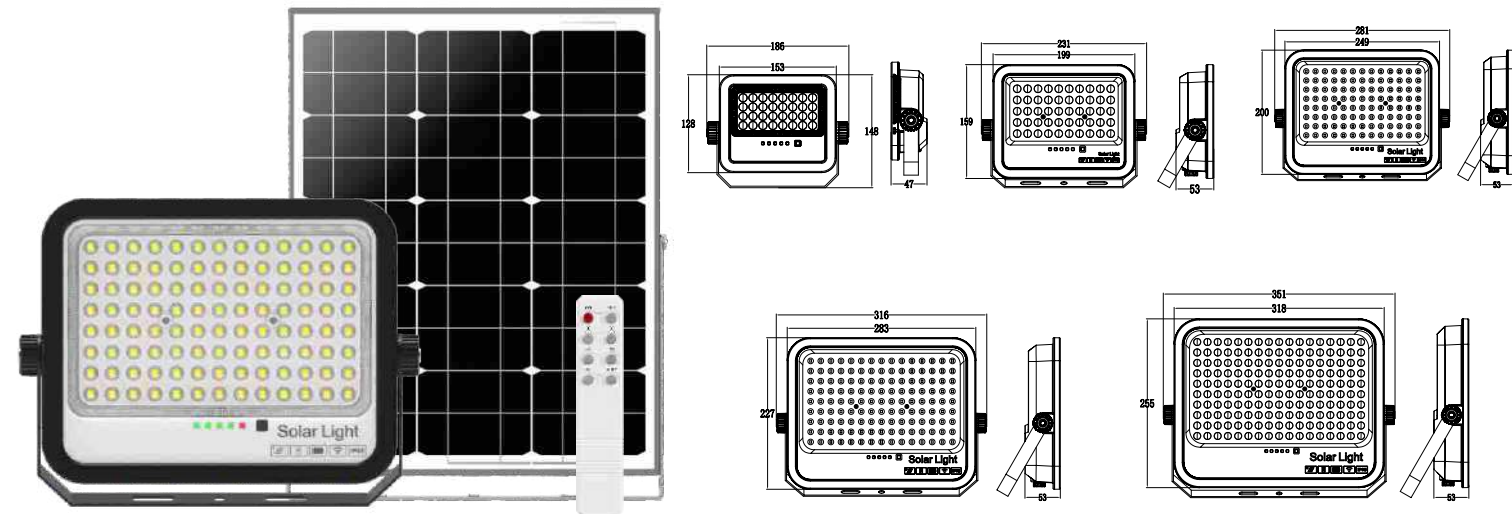
# Solar Flood Light

## Ryh-TJ Series

New battery, Modern design  
High efficiency Solar Panel.



## Ryh-TJ Series



### PRODUCT ADVANTAGES AND FEATURES

- ▶ Highlight
- ▶ ABS+PC
- ▶ IP65
- ▶ New Battery

Model NO.	Lumen	Battery/Solar Panel	Lamp Size
RYH-TJ-025W	210lm	1.8AH 3.2V / 3W 5V	128x183x47mm
RYH-TJ-050W	550lm	4AH 3.2V / 5W 5V	159x199x53mm
RYH-TJ-100W	1100lm	8AH 3.2V / 10W 5V	159x199x53mm
RYH-TJ-150W	1650lm	12AH 3.2V / 15W 5V	200x249x53mm
RYH-TJ-200W	2200lm	16AH 3.2V / 18W 5V	200x249x53mm
RYH-TJ-250W	2750lm	20AH 3.2V / 20W 5V	227x283x53mm
RYH-TJ-300W	3300lm	24AH 3.2V / 25W 5V	227x283x53mm
RYH-TJ-350W	3850lm	28AH 3.2V / 30W 5V	255x318x53mm
RYH-TJ-400W	4400lm	32AH 3.2V / 35W 5V	255x318x53mm



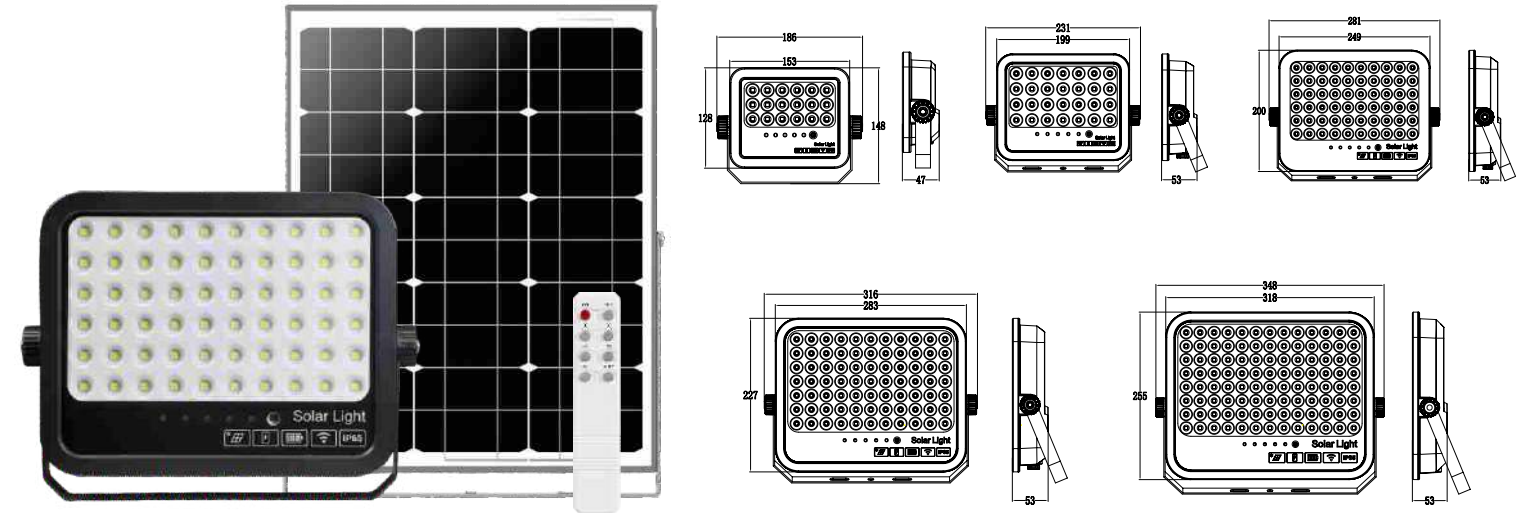
# Solar Flood Light

## Ryh-FX Series

New battery, Modern design  
High efficiency Solar Panel.



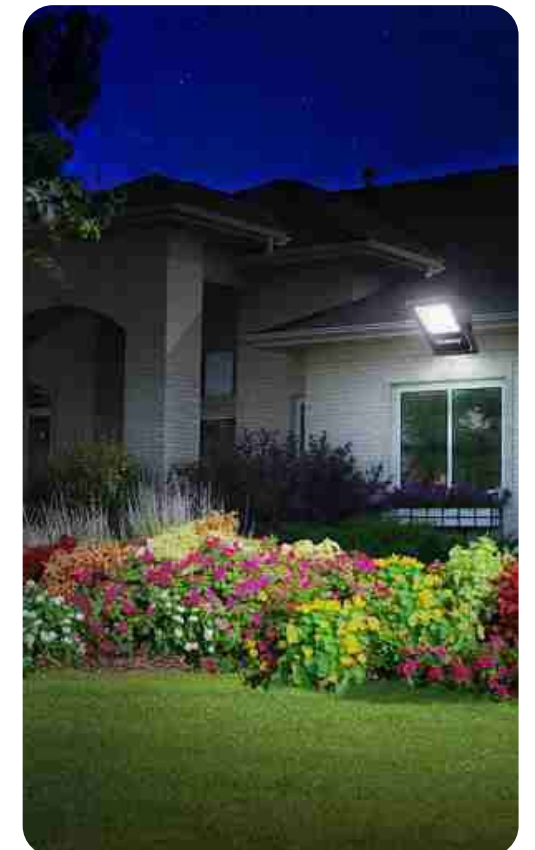
## Ryh-FX Series



### PRODUCT ADVANTAGES AND FEATURES

- ▶ Highlight
- ▶ ABS+Glass
- ▶ IP65
- ▶ New Battery

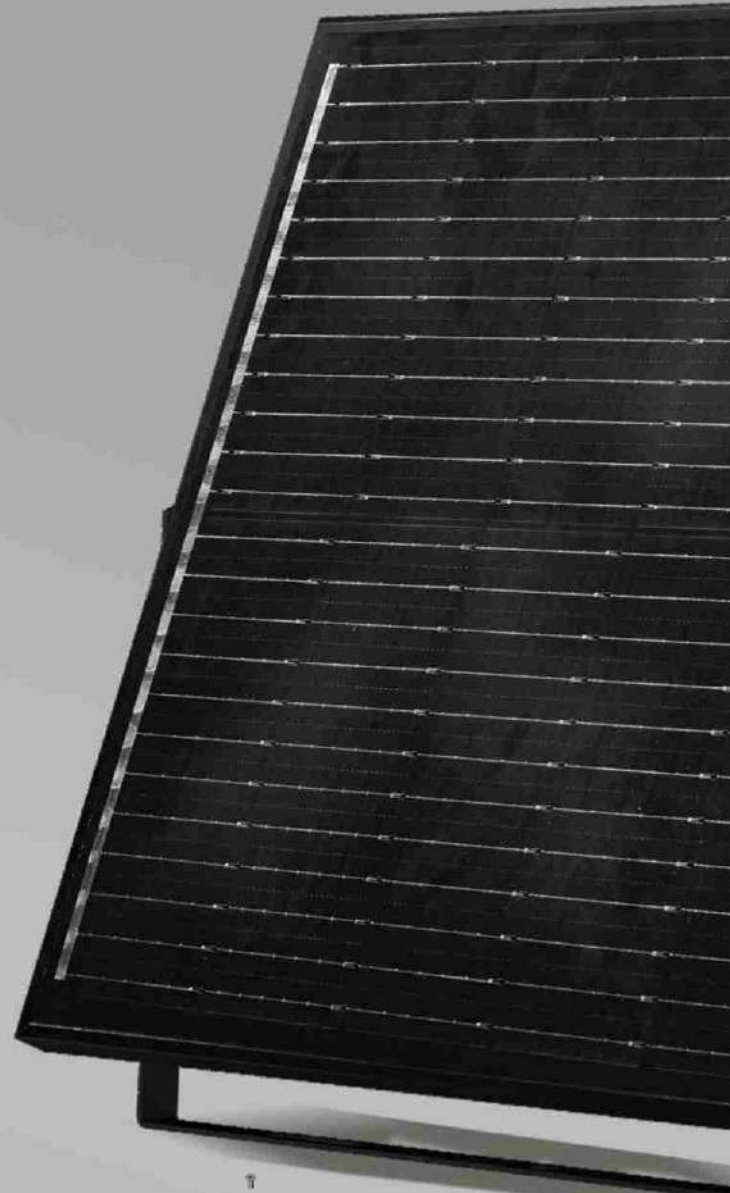
Model NO.	Lumen	Battery/Solar Panel	Lamp Size
RYH-FX-025W	210lm	1.8AH 3.2V / 3W 5V	128x183x47mm
RYH-FX-050W	550lm	4AH 3.2V / 5W 5V	159x199x53mm
RYH-FX-100W	1100lm	8AH 3.2V / 10W 5V	159x199x53mm
RYH-FX-150W	1650lm	12AH 3.2V / 15W 5V	200x249x53mm
RYH-FX-200W	2200lm	16AH 3.2V / 18W 5V	200x249x53mm
RYH-FX-250W	2750lm	20AH 3.2V / 20W 5V	227x283x53mm
RYH-FX-300W	3300lm	24AH 3.2V / 25W 5V	227x283x53mm
RYH-FX-350W	3850lm	28AH 3.2V / 30W 5V	255x318x53mm
RYH-FX-400W	4400lm	32AH 3.2V / 35W 5V	255x318x53mm



# Solar Flood Light

## HXTJ Series

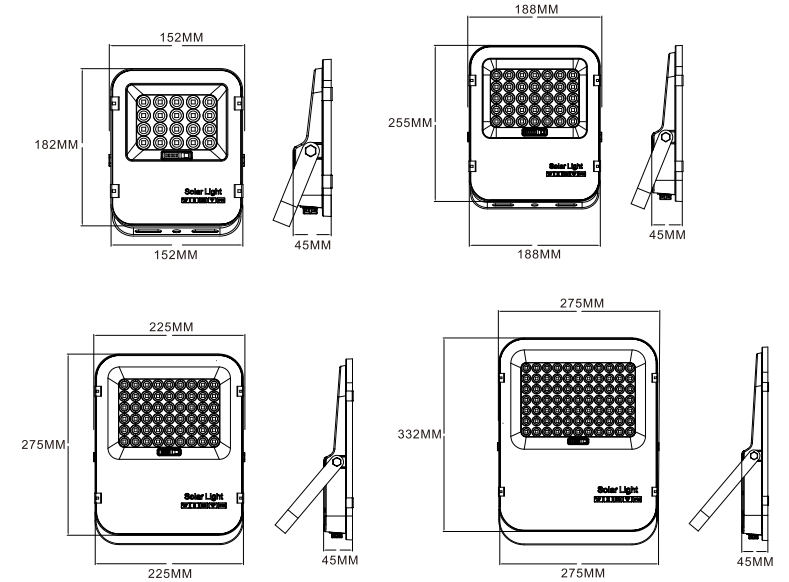
Die-casting Aluminum cover,  
Modern design  
High efficiency Solar Panel.



Replaceable Battery



## HXTJ Series



## PRODUCT ADVANTAGES AND FEATURES

- ▶ Highlight
- ▶ Aluminum+PC
- ▶ IP65
- ▶ Imbricated Solar Panel

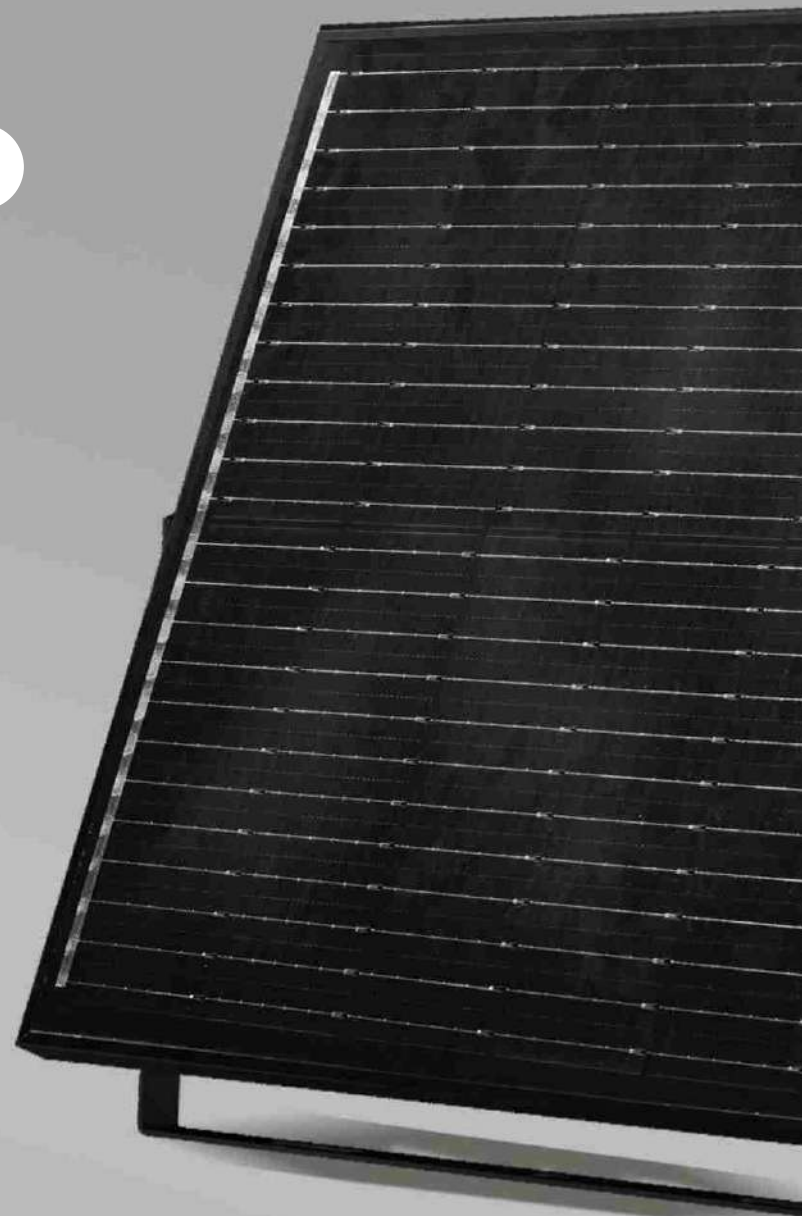
Model NO.	Lumen	Battery/Solar Panel	Lamp Size
HXTJ-050W	700lm	5AH 3.2V / 6W 5V	152x182x45mm
HXTJ-100W	1400lm	10AH 3.2V / 10W 5V	188x255x45mm
HXTJ-150W	2100lm	15AH 3.2V / 15W 5V	188x255x45mm
HXTJ-200W	2800lm	20AH 3.2V / 20W 5V	225x275x45mm
HXTJ-250W	3500lm	25AH 3.2V / 25W 5V	225x275x45mm
HXTJ-300W	4200lm	30AH 3.2V / 30W 5V	275x332x45mm
HXTJ-300W	4200lm	37.5AH 3.2V / 40W 5V	275x332x45mm
HXTJ-450W	5600lm	45AH 3.2V / 45W 5V	275x332x45mm



# Solar Flood Light

## HXBL Series

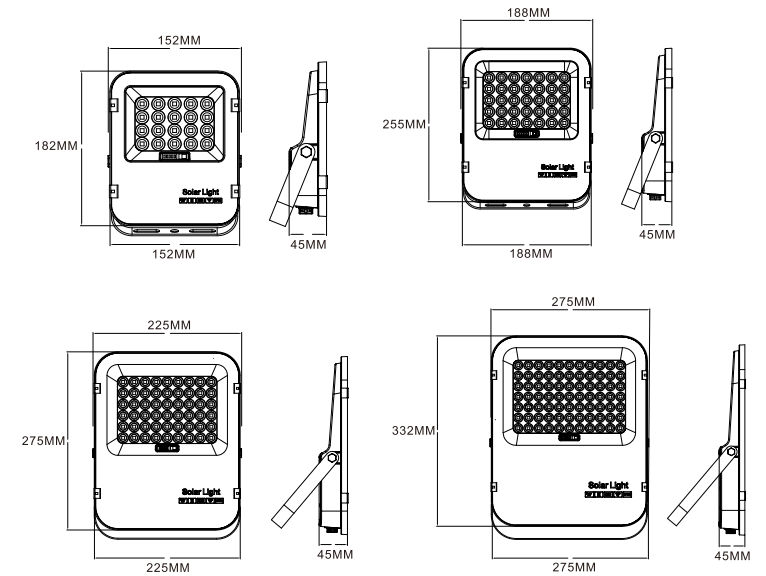
Die-casting Aluminum cover,  
Modern design  
High efficiency Solar Panel.



Replaceable Battery



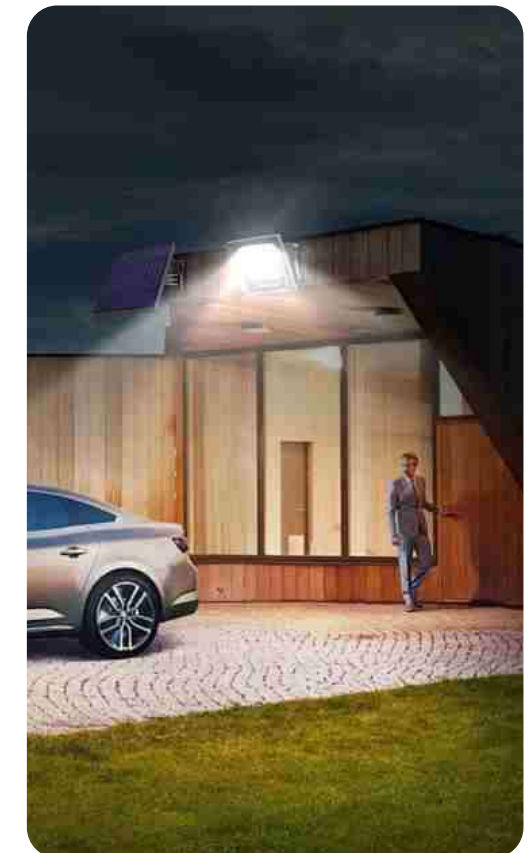
## HXBL Series



## PRODUCT ADVANTAGES AND FEATURES

- ▶ Highlight
- ▶ Aluminum+Glass
- ▶ IP65
- ▶ Imbricated Solar Panel

Model NO.	Lumen	Battery/Solar Panel	Lamp Size
HXBL-050W	700lm	5AH 3.2V / 6W 5V	152x182x45mm
HXBL-100W	1400lm	10AH 3.2V / 10W 5V	188x255x45mm
HXBL-150W	2100lm	15AH 3.2V / 15W 5V	188x255x45mm
HXBL-200W	2800lm	20AH 3.2V / 20W 5V	225x275x45mm
HXBL-250W	3500lm	25AH 3.2V / 25W 5V	225x275x45mm
HXBL-300W	4200lm	30AH 3.2V / 30W 5V	275x332x45mm
HXBL-300W	4200lm	37.5AH 3.2V / 40W 5V	275x332x45mm
HXBL-450W	5600lm	45AH 3.2V / 45W 5V	275x332x45mm



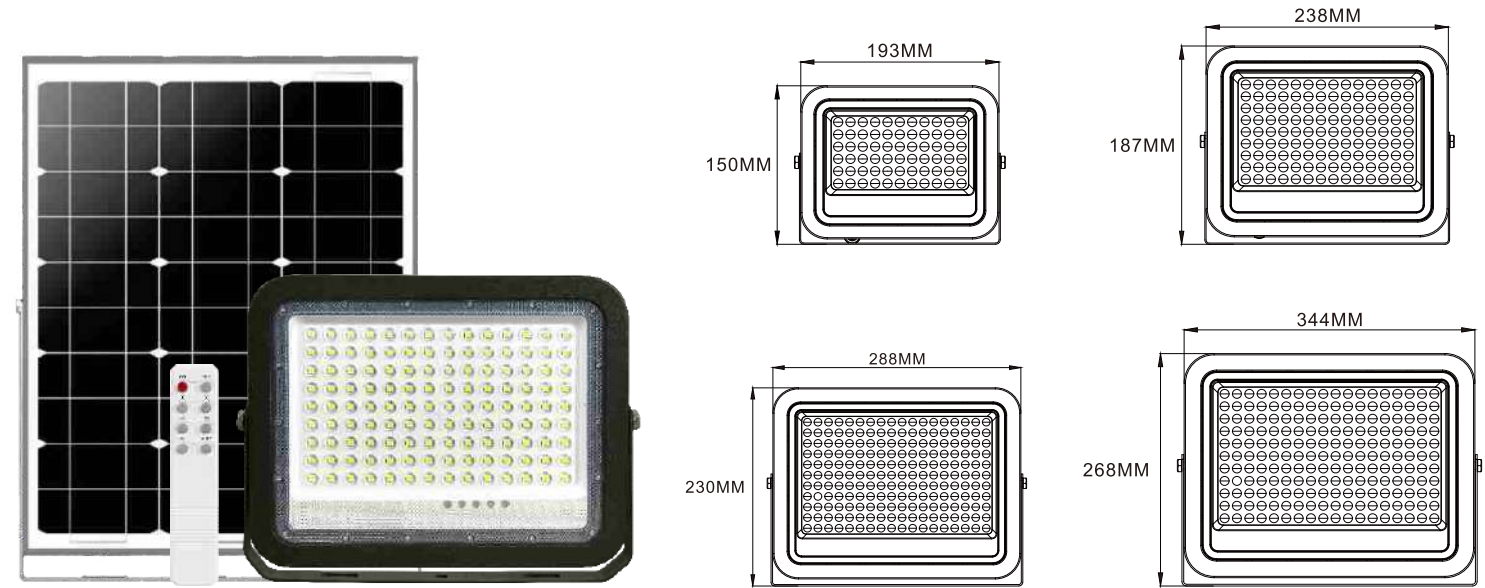
# Solar Flood Light

## YX Series

Die-casting Aluminum cover,  
Modern design  
High efficiency Solar Panel.



## YX Series



## PRODUCT ADVANTAGES AND FEATURES

- ▶ Highlight
- ▶ Aluminum+PC
- ▶ IP65
- ▶ High Efficiency Solar Panel

Model NO.	Lumen	Battery/Solar Panel	Lamp Size
YX-040W	550lm	4AH 3.2V / 6W 5V	193x150x41mm
YX-100W	1200lm	10AH 3.2V / 10W 5V	238x187x48mm
YX-150W	1700lm	15AH 3.2V / 15W 5V	238x187x48mm
YX-200W	2700lm	20AH 3.2V / 20W 5V	288x230x48mm
YX-250W	3200lm	25AH 3.2V / 25W 5V	288x230x48mm
YX-250W	3600lm	30AH 3.2V / 30W 5V	288x230x48mm
YX-350W	4000lm	35AH 3.2V / 35W 5V	344x268x48mm
YX-400W	4400lm	40AH 3.2V / 40W 5V	344x268x48mm



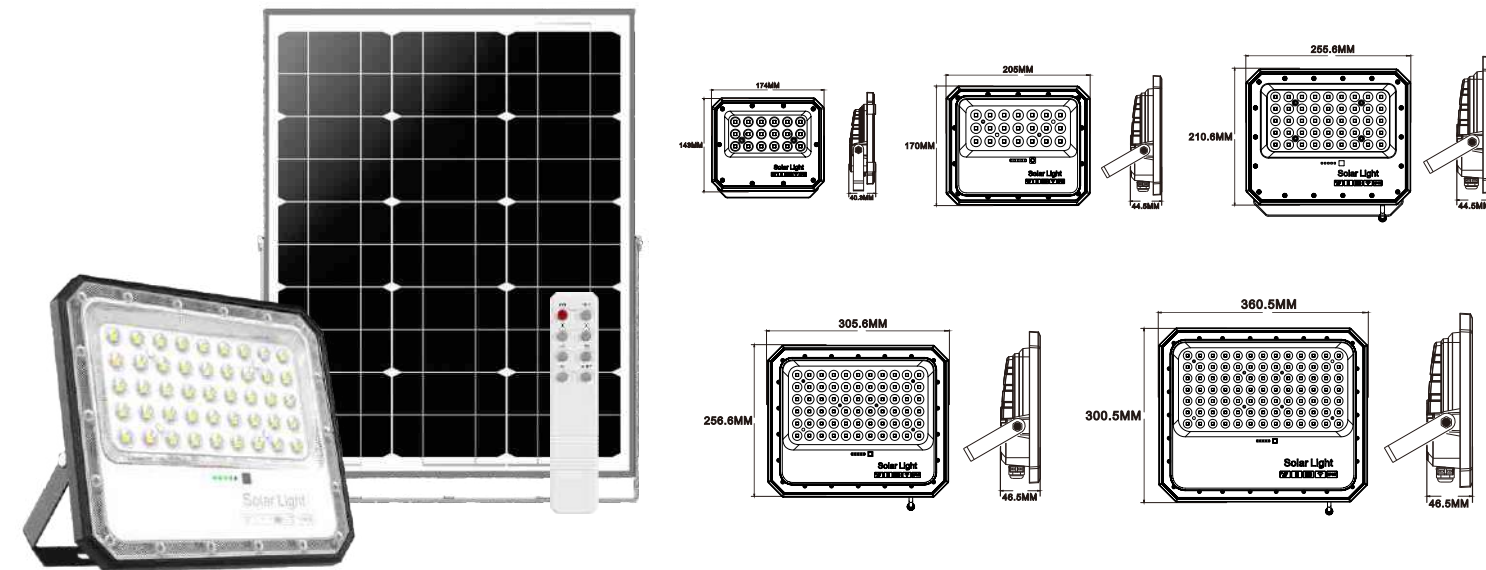
# Solar Flood Light

## JLTJ01 Series

UV-proof ABS cover, Modern design  
High efficiency Solar Panel.



## JLTJ01 Series



## PRODUCT ADVANTAGES AND FEATURES

- ▶ Highlight
- ▶ ABS+PC
- ▶ IP65
- ▶ High Efficiency Solar Panel

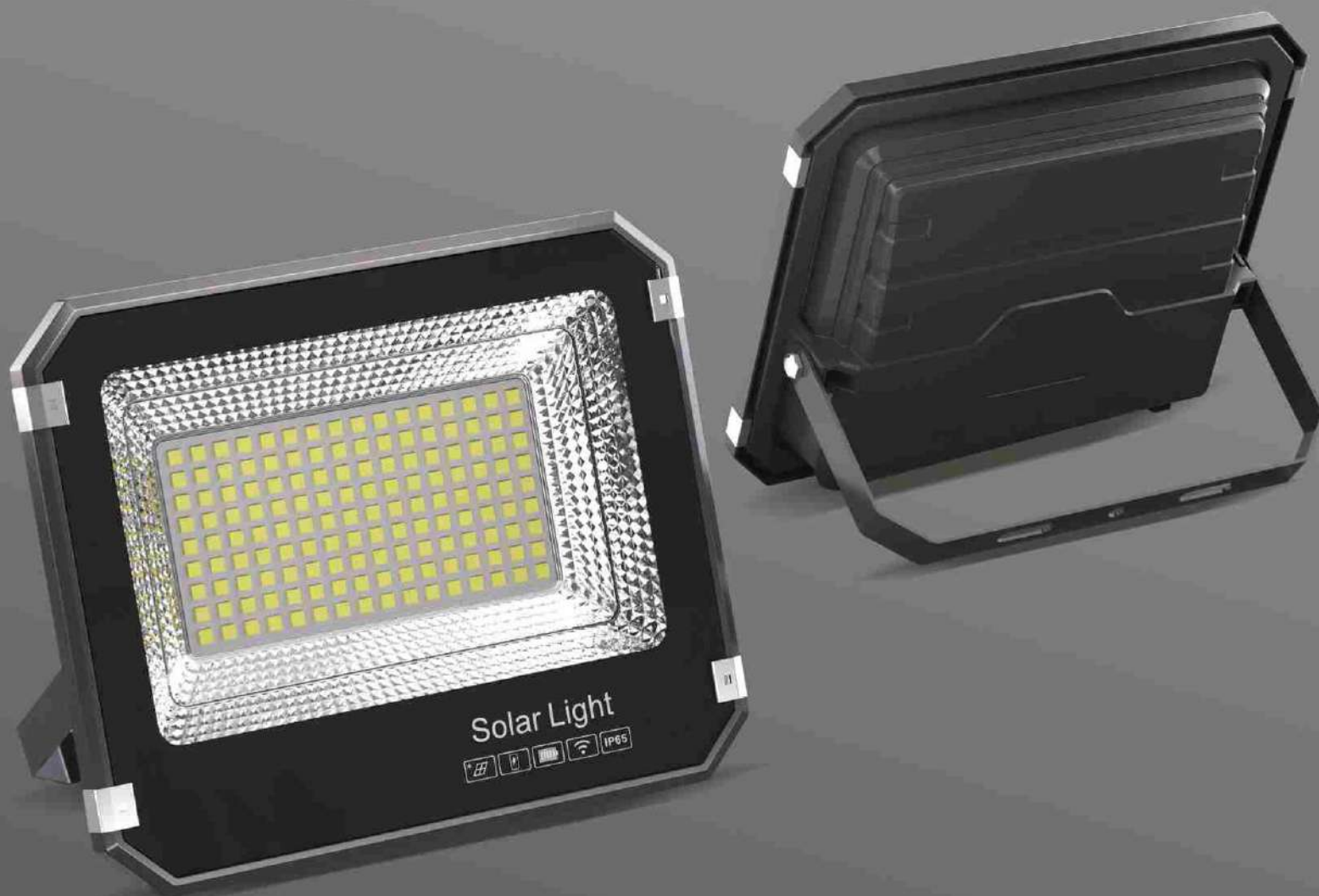
Model NO.	Lumen	Battery/Solar Panel	Lamp Size
JLTJ01-025W	210lm	1.8AH 3.2V / 3W 5V	174x143x40.3mm
JLTJ01-050W	600lm	4AH 3.2V / 6W 5V	205x170x44.5mm
JLTJ01-100W	1400lm	10AH 3.2V / 10W 5V	255x210x44.5mm
JLTJ01-150W	2100lm	15AH 3.2V / 15W 5V	305x256x46.5mm
JLTJ01-200W	2700lm	20AH 3.2V / 20W 5V	305x256x46.5mm
JLTJ01-250W	3500lm	25AH 3.2V / 25W 5V	360x300x46.5mm
JLTJ01-300W	4100lm	30AH 3.2V / 30W 5V	360x300x46.5mm



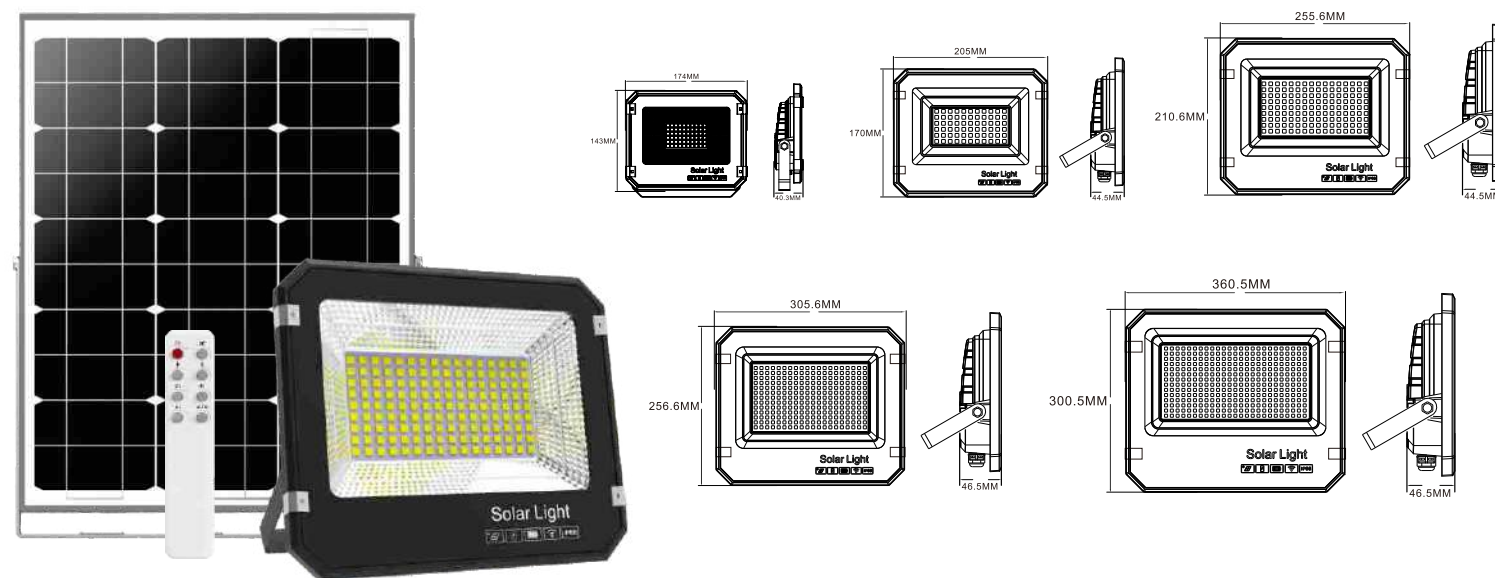
# Solar Flood Light

## JLJX Series

UV-proof ABS cover, Modern design  
High efficiency Solar Panel.



## JLJX Series



### PRODUCT ADVANTAGES AND FEATURES

- ▶ Highlight
- ▶ ABS+Glass
- ▶ IP65
- ▶ High Efficiency Solar Panel

Model NO.	Lumen	Battery/Solar Panel	Lamp Size
JLJX-025W	210lm	1.8AH 3.2V / 3W 5V	174x143x40.3mm
JLJX-050W	600lm	4AH 3.2V / 6W 5V	205x170x44.5mm
JLJX-100W	1400lm	10AH 3.2V / 10W 5V	255x210x44.5mm
JLJX-150W	2100lm	15AH 3.2V / 15W 5V	305x256x46.5mm
JLJX-200W	2700lm	20AH 3.2V / 20W 5V	305x256x46.5mm
JLJX-250W	3500lm	25AH 3.2V / 25W 5V	360x300x46.5mm
JLJX-300W	4100lm	30AH 3.2V / 30W 5V	360x300x46.5mm



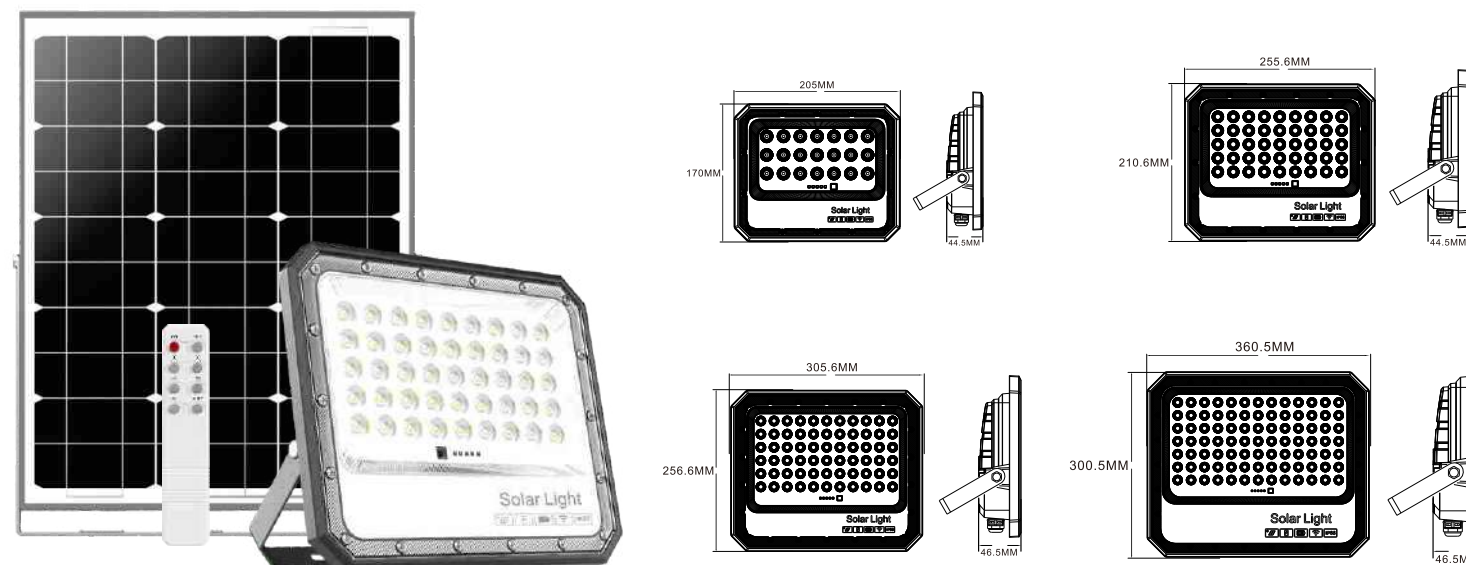
# Solar Flood Light

## JLTJ02 Series

UV-proof ABS cover, Modern design  
High efficiency Solar Panel.



## JLTJ02 Series



### PRODUCT ADVANTAGES AND FEATURES

- ▶ Highlight
- ▶ ABS+PC
- ▶ IP65
- ▶ High Efficiency Solar Panel

Model NO.	Lumen	Battery/Solar Panel	Lamp Size
JLTJ02-050W	600lm	4AH 3.2V / 6W 5V	205x170x44.5mm
JLTJ02-100W	1400lm	10AH 3.2V / 10W 5V	255x210x44.5mm
JLTJ02-150W	2100lm	15AH 3.2V / 15W 5V	305x256x46.5mm
JLTJ02-200W	2700lm	20AH 3.2V / 20W 5V	305x256x46.5mm
JLTJ02-250W	3500lm	25AH 3.2V / 25W 5V	360x300x46.5mm
JLTJ02-300W	4100lm	30AH 3.2V / 30W 5V	360x300x46.5mm

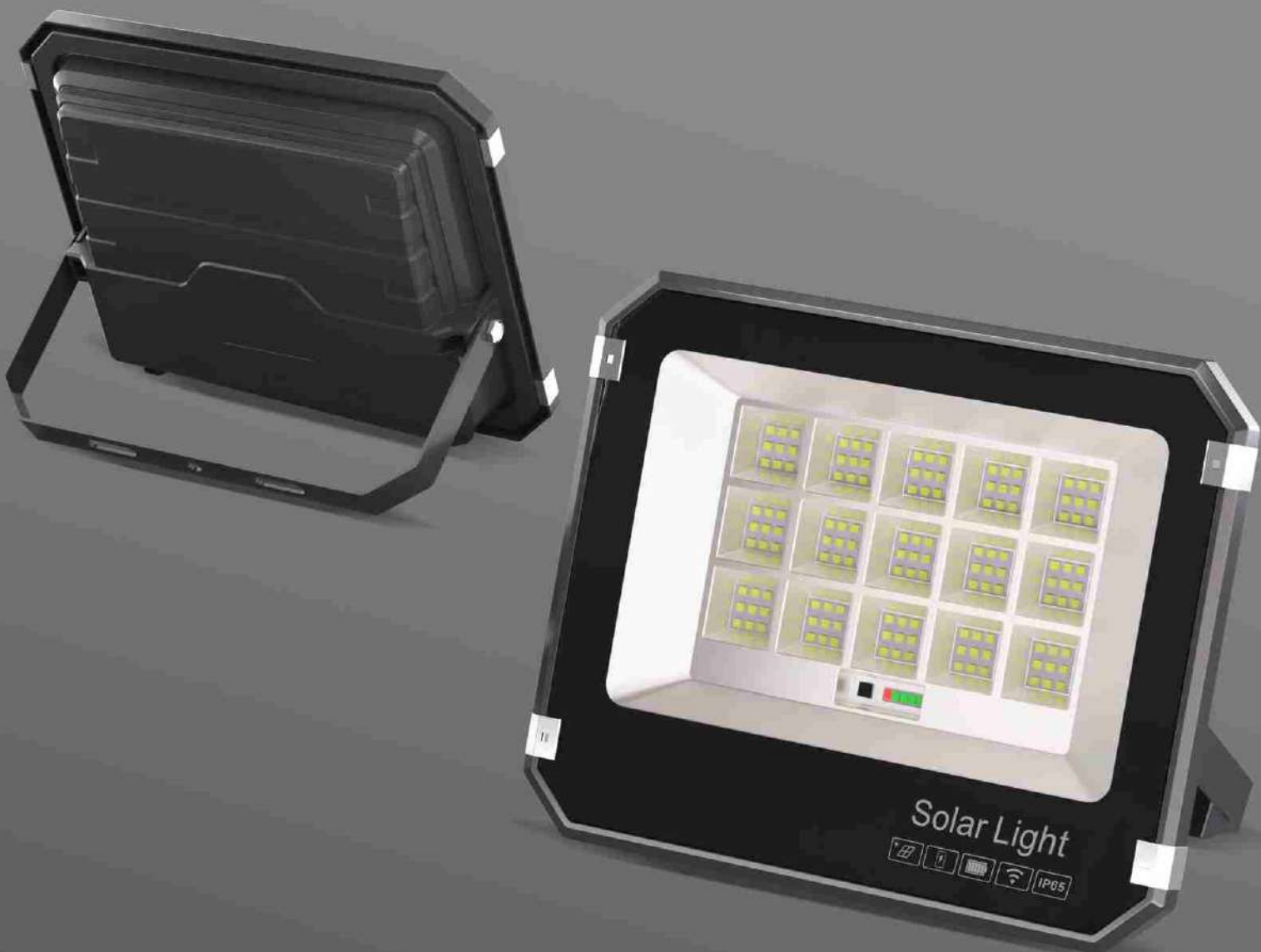




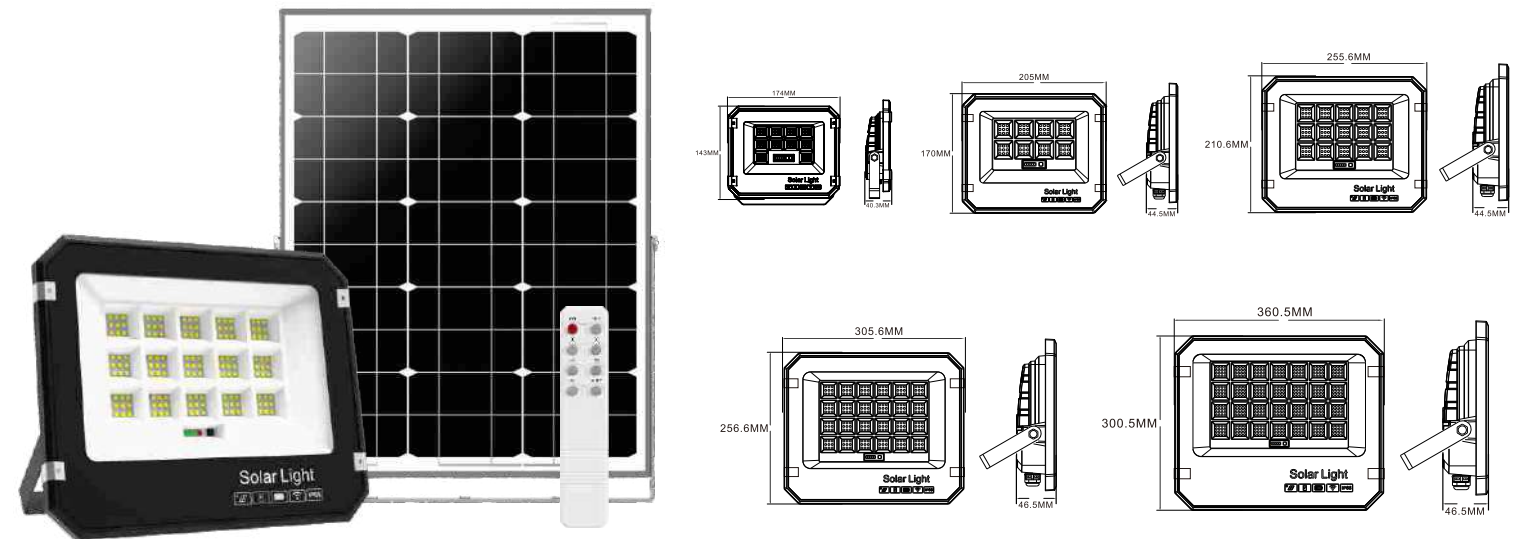
# Solar Flood Light

## JLYX Series

UV-proof ABS cover, Modern design  
High efficiency Solar Panel.



## JLYX Series



## PRODUCT ADVANTAGES AND FEATURES

- ▶ Highlight
- ▶ ABS+Glass
- ▶ IP65
- ▶ High Efficiency Solar Panel

Model NO.	Lumen	Battery/Solar Panel	Lamp Size
JLYX-025W	210lm	1.8AH 3.2V / 3W 5V	174x143x40.3mm
JLYX-050W	600lm	4AH 3.2V / 6W 5V	205x170x44.5mm
JLYX-100W	1400lm	10AH 3.2V / 10W 5V	255x210x44.5mm
JLYX-150W	2100lm	15AH 3.2V / 15W 5V	305x256x46.5mm
JLYX-200W	2700lm	20AH 3.2V / 20W 5V	305x256x46.5mm
JLYX-250W	3500lm	25AH 3.2V / 25W 5V	360x300x46.5mm
JLYX-300W	4100lm	30AH 3.2V / 30W 5V	360x300x46.5mm



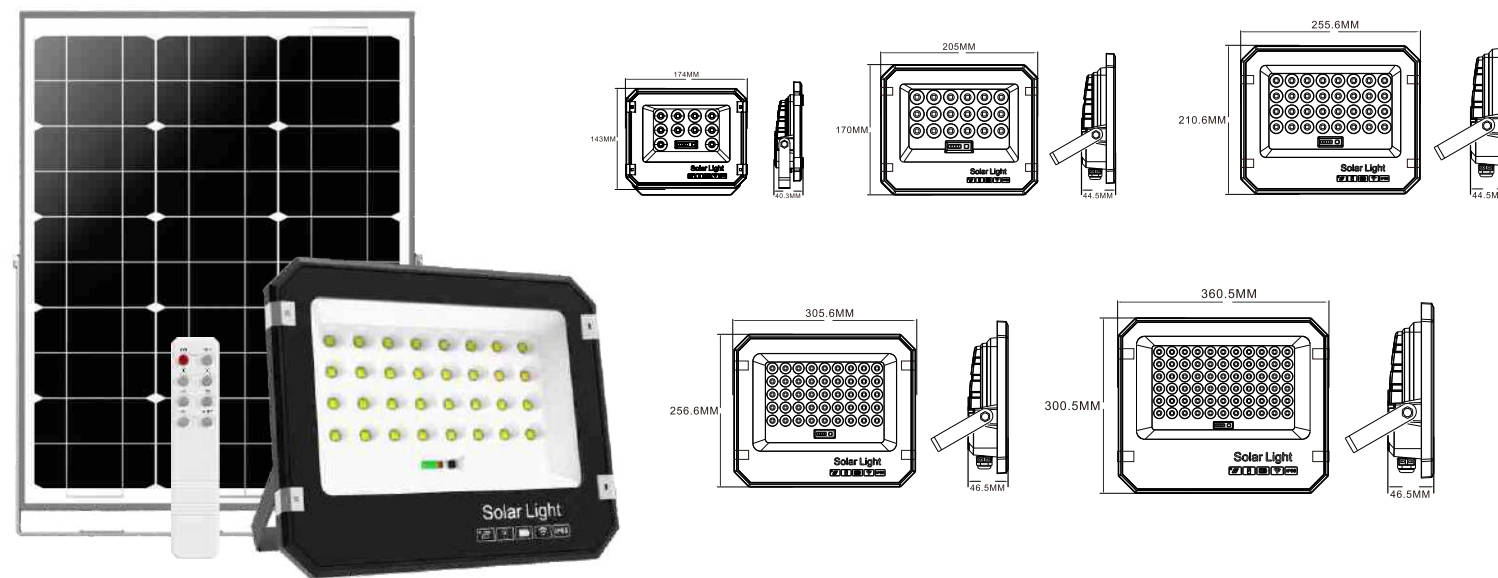
# Solar Flood Light

## JLFX Series

UV-proof ABS cover, Modern design  
High efficiency Solar Panel.



## JLFX Series



## PRODUCT ADVANTAGES AND FEATURES

- ▶ Highlight
- ▶ ABS+Glass
- ▶ IP65
- ▶ High Efficiency Solar Panel

Model NO.	Lumen	Battery/Solar Panel	Lamp Size
JLFX-025W	210lm	1.8AH 3.2V / 3W 5V	174x143x40.3mm
JLFX-050W	600lm	4AH 3.2V / 6W 5V	205x170x44.5mm
JLFX-100W	1400lm	10AH 3.2V / 10W 5V	255x210x44.5mm
JLFX-150W	2100lm	15AH 3.2V / 15W 5V	305x256x46.5mm
JLFX-200W	2700lm	20AH 3.2V / 20W 5V	305x256x46.5mm
JLFX-250W	3500lm	25AH 3.2V / 25W 5V	360x300x46.5mm
JLFX-300W	4100lm	30AH 3.2V / 30W 5V	360x300x46.5mm



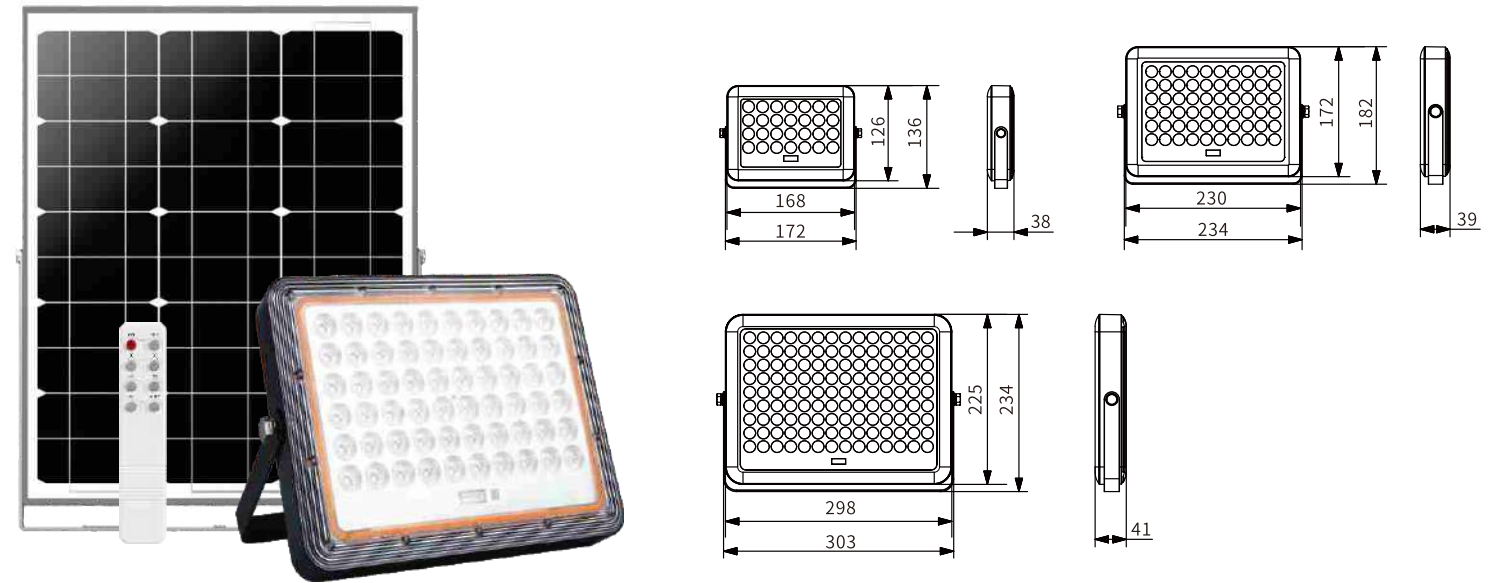
# Solar Flood Light

## AGZ Series

UV-proof ABS cover, Modern design  
High efficiency Solar Panel.



## AGZ Series



## PRODUCT ADVANTAGES AND FEATURES

- ▶ Highlight
- ▶ ABS+PC
- ▶ IP65
- ▶ High Efficiency Solar Panel

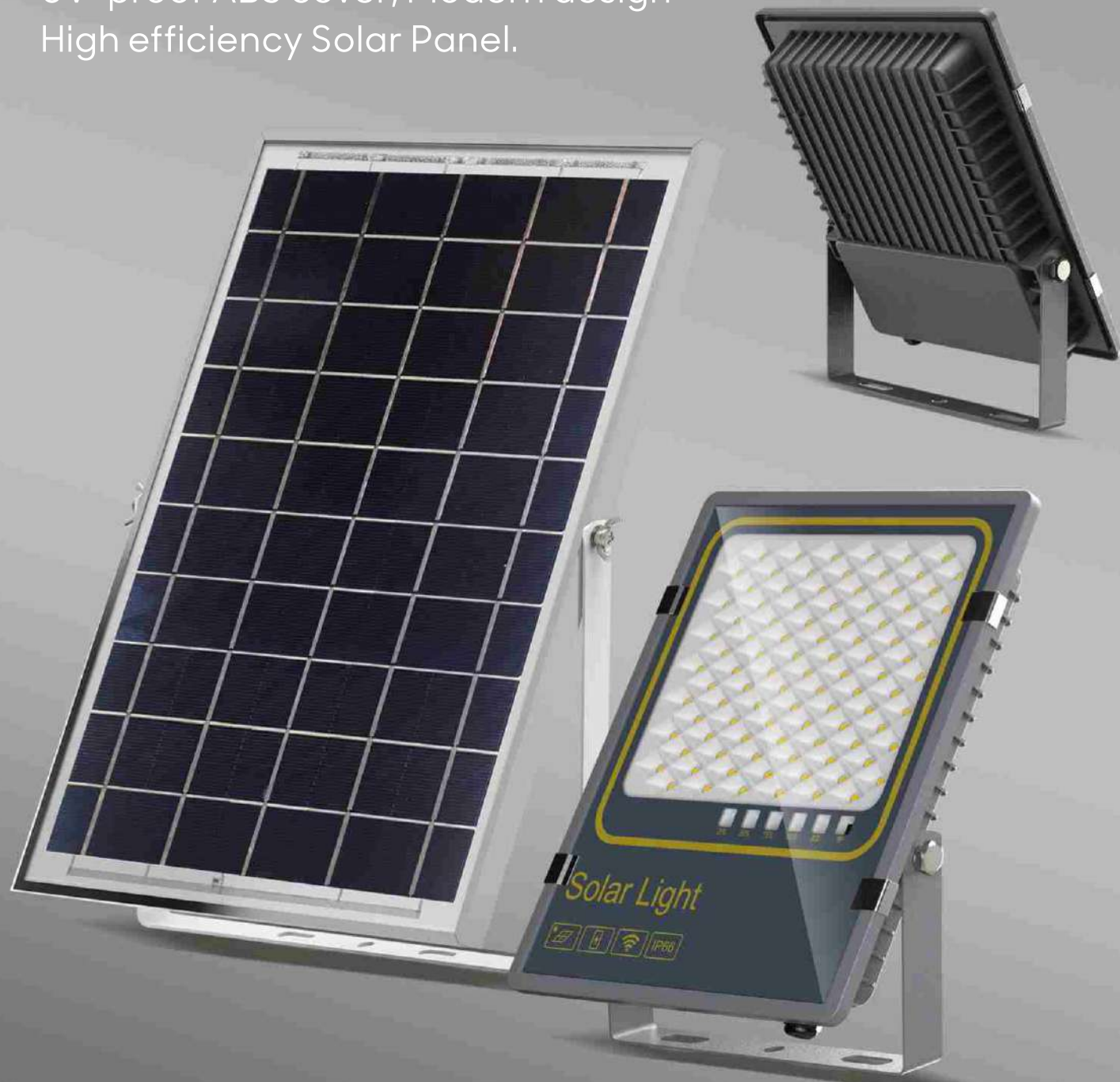
Model NO.	Lumen	Battery/Solar Panel	Lamp Size
AGZ-050W	600lm	5.5AH 3.2V / 6W 5V	168x126x38mm
AGZ-100W	1200lm	8AH 3.2V / 10W 5V	230x172x39mm
AGZ-150W	1800lm	16AH 3.2V / 15W 5V	230x172x39mm
AGZ-200W	2200lm	20AH 3.2V / 20W 5V	230x172x39mm
AGZ-250W	2700lm	24AH 3.2V / 24W 5V	298x225x41mm
AGZ-300W	3200lm	28AH 3.2V / 28W 5V	298x225x41mm
AGZ-400W	4600lm	40AH 3.2V / 40W 5V	298x225x41mm



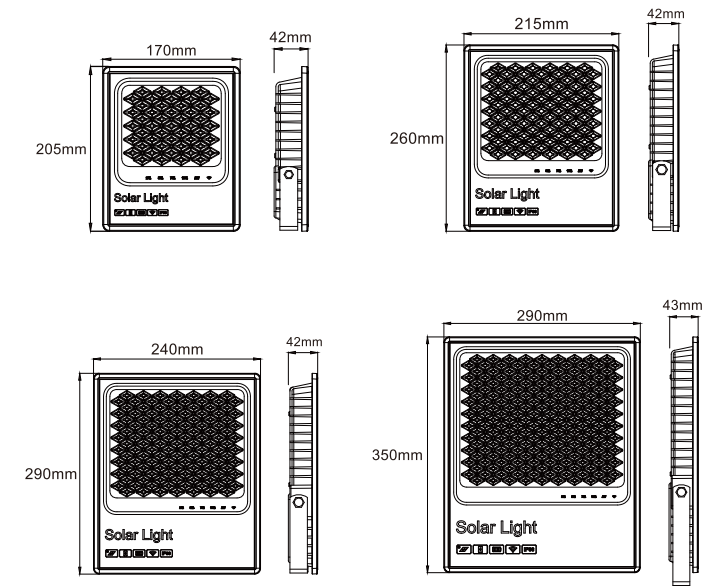
# Solar Flood Light

## FX Series

UV-proof ABS cover, Modern design  
High efficiency Solar Panel.



## FX Series



## PRODUCT ADVANTAGES AND FEATURES

- ▶ Highlight
- ▶ ABS+Glass
- ▶ IP66
- ▶ High Efficiency Solar Panel

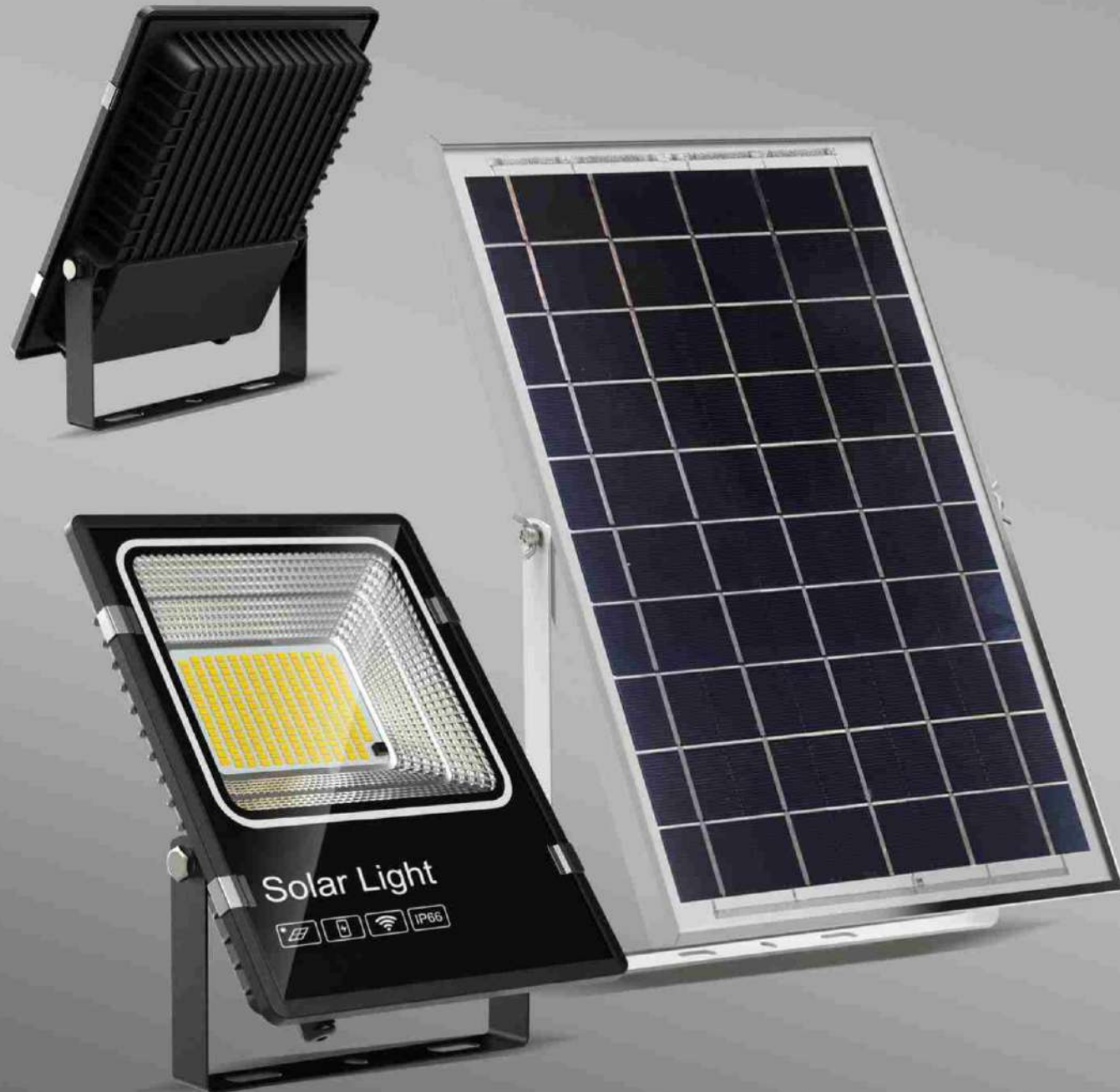
Model NO.	Lumen	Battery/Solar Panel	Lamp Size
FX-050W	700lm	5AH 3.2V / 6W 5V	170x205x42mm
FX-100W	1200lm	10AH 3.2V / 12W 5V	215x260x42mm
FX-200W	2000lm	15AH 3.2V / 18W 5V	240x290x42mm
FX-250W	3000lm	25AH 3.2V / 25W 5V	290x350x43mm
FX-300W	3500lm	30AH 3.2V / 30W 5V	290x350x43mm



# Solar Flood Light

## JX Series

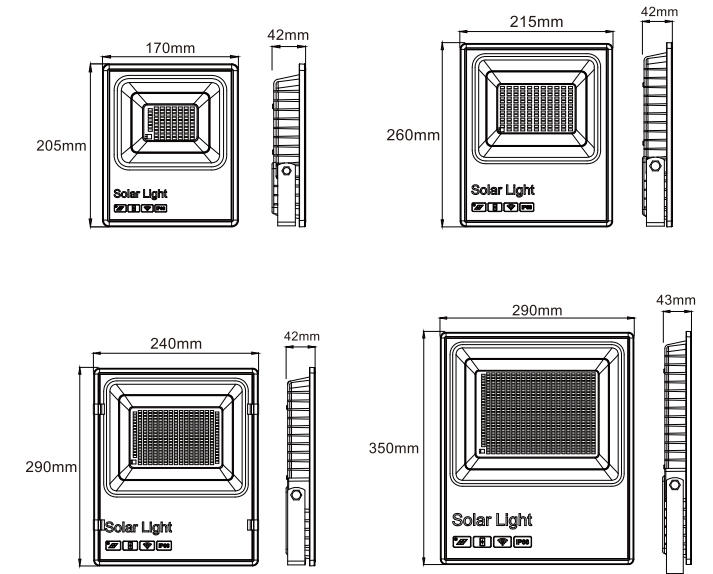
UV-proof ABS cover, Modern design  
High efficiency Solar Panel.



## Solar Flood Light



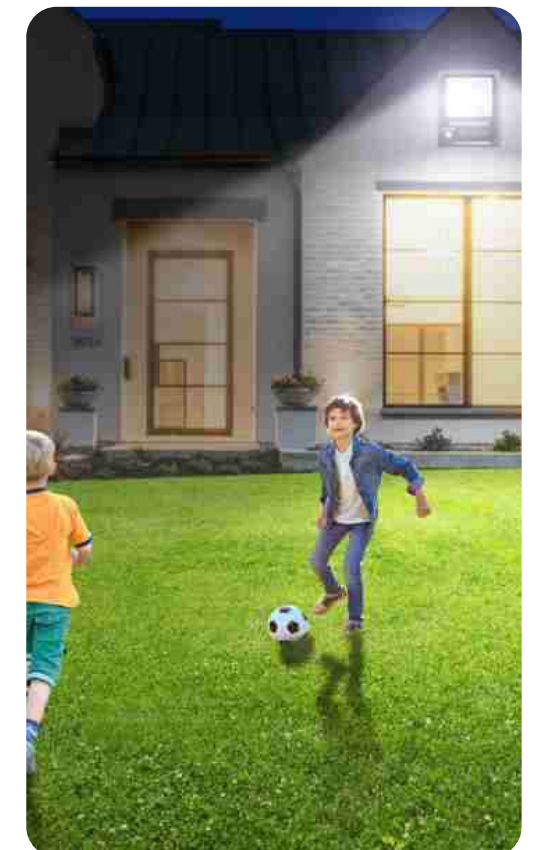
## JX Series



## PRODUCT ADVANTAGES AND FEATURES

- ▶ Highlight
- ▶ ABS+Glass
- ▶ IP66
- ▶ High Efficiency Solar Panel

Model NO.	Lumen	Battery/Solar Panel	Lamp Size
JX-050W	700lm	5AH 3.2V / 6W 5V	170x205x42mm
JX-100W	1200lm	10AH 3.2V / 12W 5V	215x260x42mm
JX-200W	2000lm	15AH 3.2V / 18W 5V	240x290x42mm
JX-250W	3000lm	25AH 3.2V / 25W 5V	290x350x43mm
JX-300W	3500lm	30AH 3.2V / 30W 5V	290x350x43mm



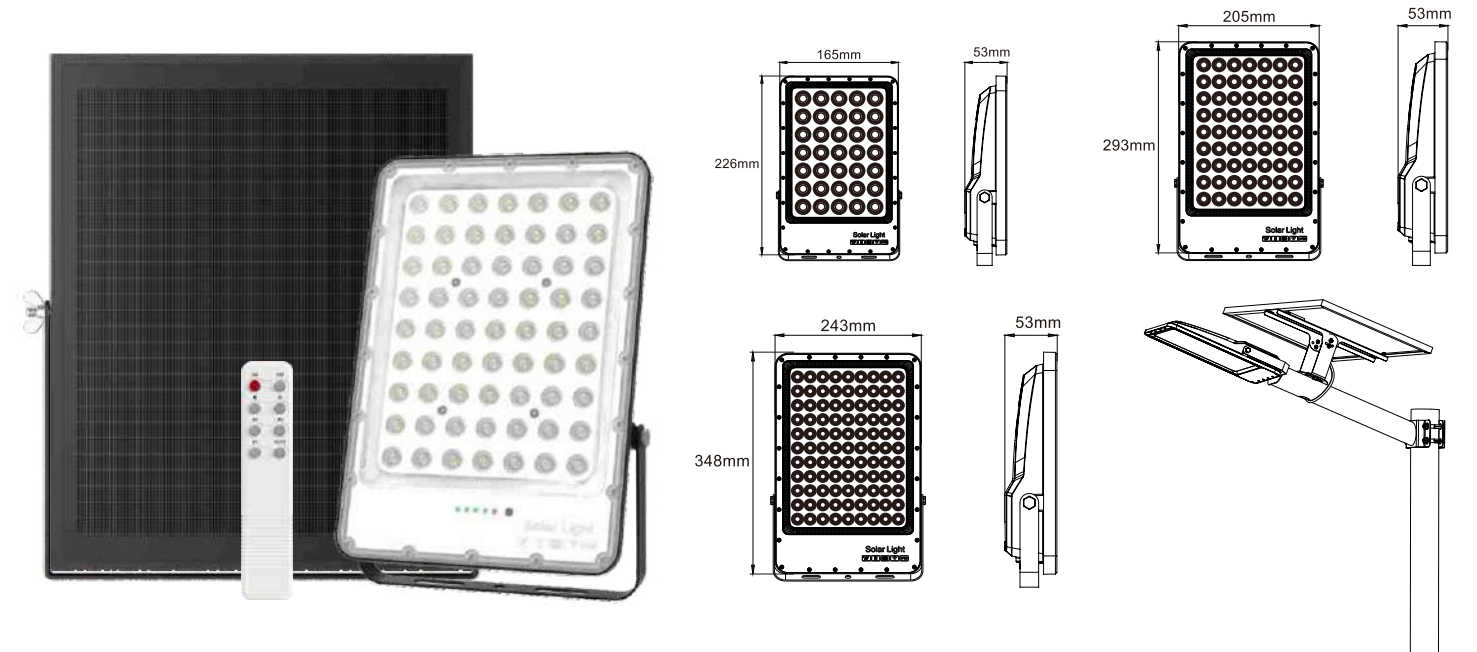
# Solar Flood Light

## JGTJ Series

Die-casting Aluminum cover,  
Modern design  
High efficiency Solar Panel.



## JGTJ Series



## PRODUCT ADVANTAGES AND FEATURES

- ▶ Highlight
- ▶ Aluminum+PC
- ▶ IP65
- ▶ Imbricated Solar Panel

Model NO.	Lumen	Battery/Solar Panel	Lamp Size
JGTJ-040W	550lm	4AH 3.2V / 6W 5V	165x226x53mm
JGTJ-080W	1200lm	8AH 3.2V / 10W 5V	165x226x53mm
JGTJ-120W	2000lm	12AH 3.2V / 15W 5V	205x293x53mm
JGTJ-200W	2600lm	20AH 3.2V / 20W 5V	205x293x53mm
JGTJ-240W	3200lm	24AH 3.2V / 25W 5V	243x348x53mm
JGTJ-280W	3800lm	28AH 3.2V / 30W 5V	243x348x53mm



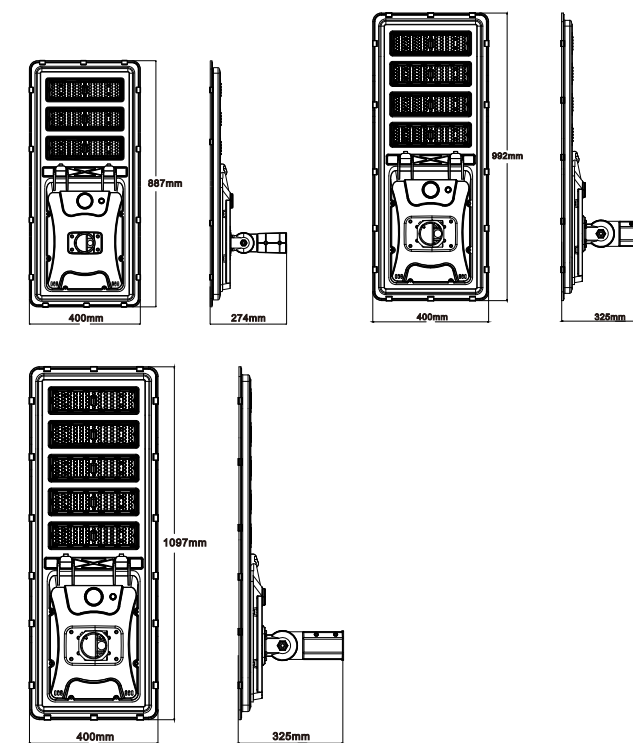
# Solar Street Light

## TQ02 Series

Industrial Solar Street Light  
No afraid of rainy days,  
long lighting time.  
High efficiency solar panel,  
High charging efficiency.



## TQ02 Series



### PRODUCT ADVANTAGES AND FEATURES

- ▶ Highlight
- ▶ Aluminum+PC
- ▶ IP65
- ▶ High Efficiency Solar Panel

Model NO.	Lumen	Solar Panel	Battery
TQ02-60	4000lm	60W/18V	30AH 6.4V
TQ02-80	5300lm	80W/18V	40AH 6.4V
TQ02-100	6500lm	100W/18V	50AH 6.4V



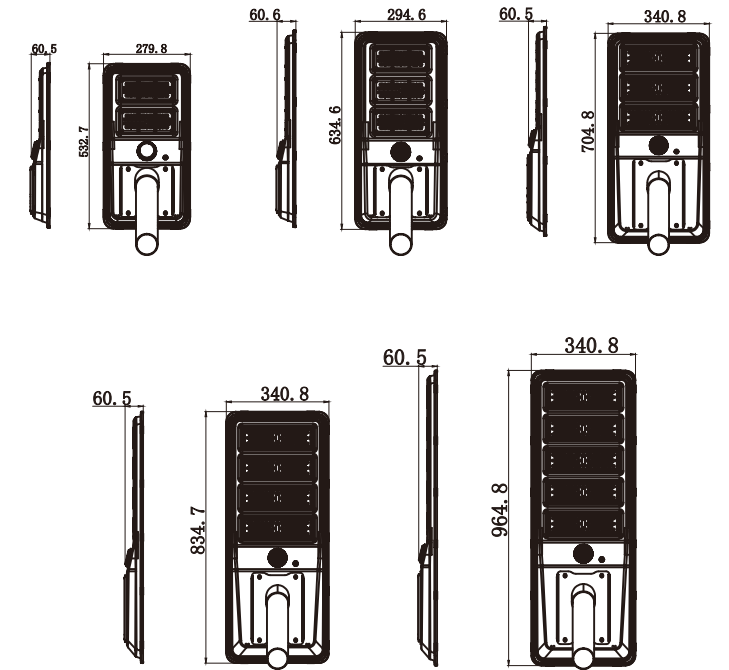
# Solar Street Light

## TQ03-X Series

Industrial Solar Street Light  
 No afraid of rainy days,  
 long lighting time.  
 High efficiency solar panel,  
 High charging efficiency.



### TQ03-X Series



### PRODUCT ADVANTAGES AND FEATURES

- ▶ Highlight
- ▶ Iron+PC
- ▶ IP65
- ▶ High Efficiency Solar Panel

Model NO.	Lumen	Solar Panel	Battery
TQ03-X-200	2000lm	20W/5V	20AH 3.2V
TQ03-X-300	3000lm	30W/5V	30AH 3.2V
TQ03-X-400	4000lm	40W/5V	40AH 3.2V
TQ03-X-500	5000lm	50W/5V	50AH 3.2V
TQ03-X-600	6000lm	60W/5V	60AH 3.2V





# Solar Street Light

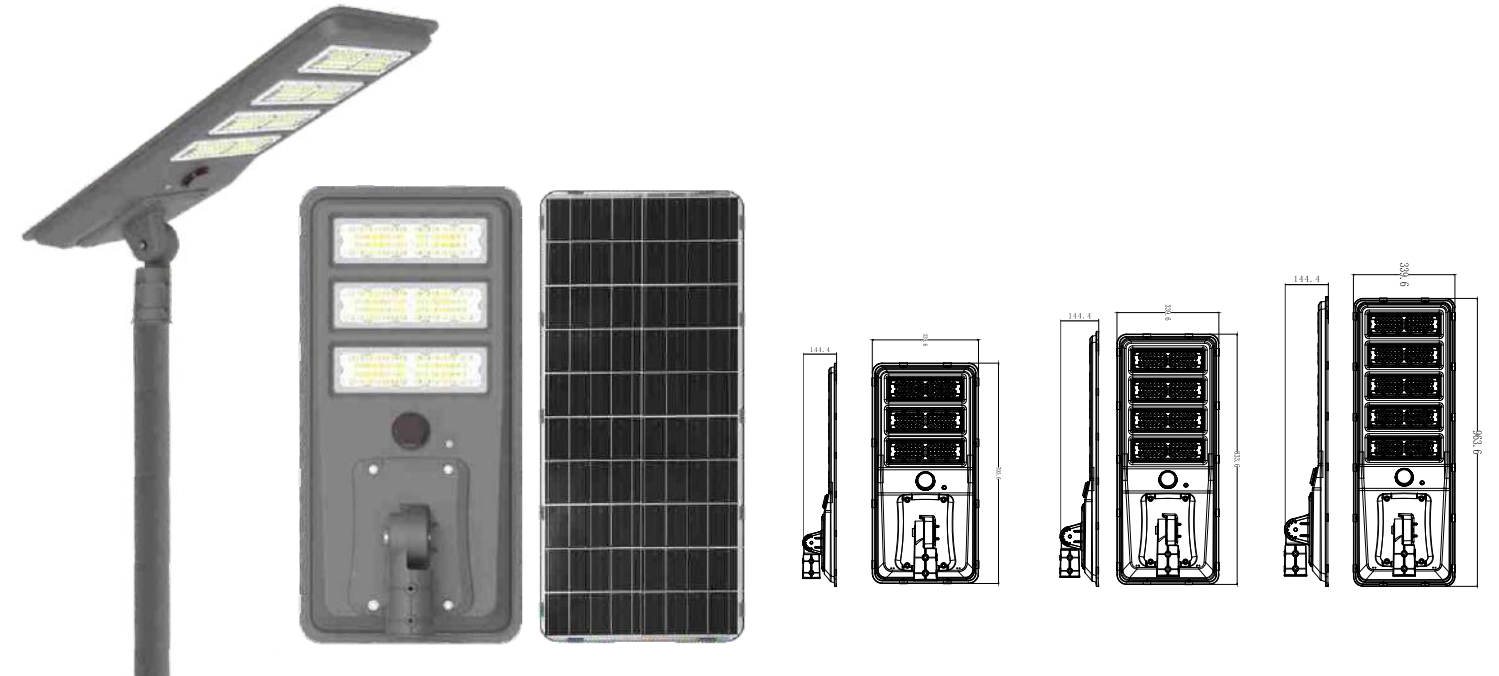


## TQ03-Y Series

Industrial Solar Street Light  
 No afraid of rainy days,  
 long lighting time.  
 High efficiency solar panel,  
 High charging efficiency.



## TQ03-Y Series



### PRODUCT ADVANTAGES AND FEATURES

- ▶ Highlight
- ▶ Iron+PC
- ▶ IP65
- ▶ High Efficiency Solar Panel

Model NO.	Lumen	Solar Panel	Battery
TQ03-Y-300	3000lm	30W/5V	30AH 3.2V
TQ03-Y-400	4000lm	40W/5V	40AH 3.2V
TQ03-Y-500	5000lm	50W/5V	50AH 3.2V



# Solar Street Light

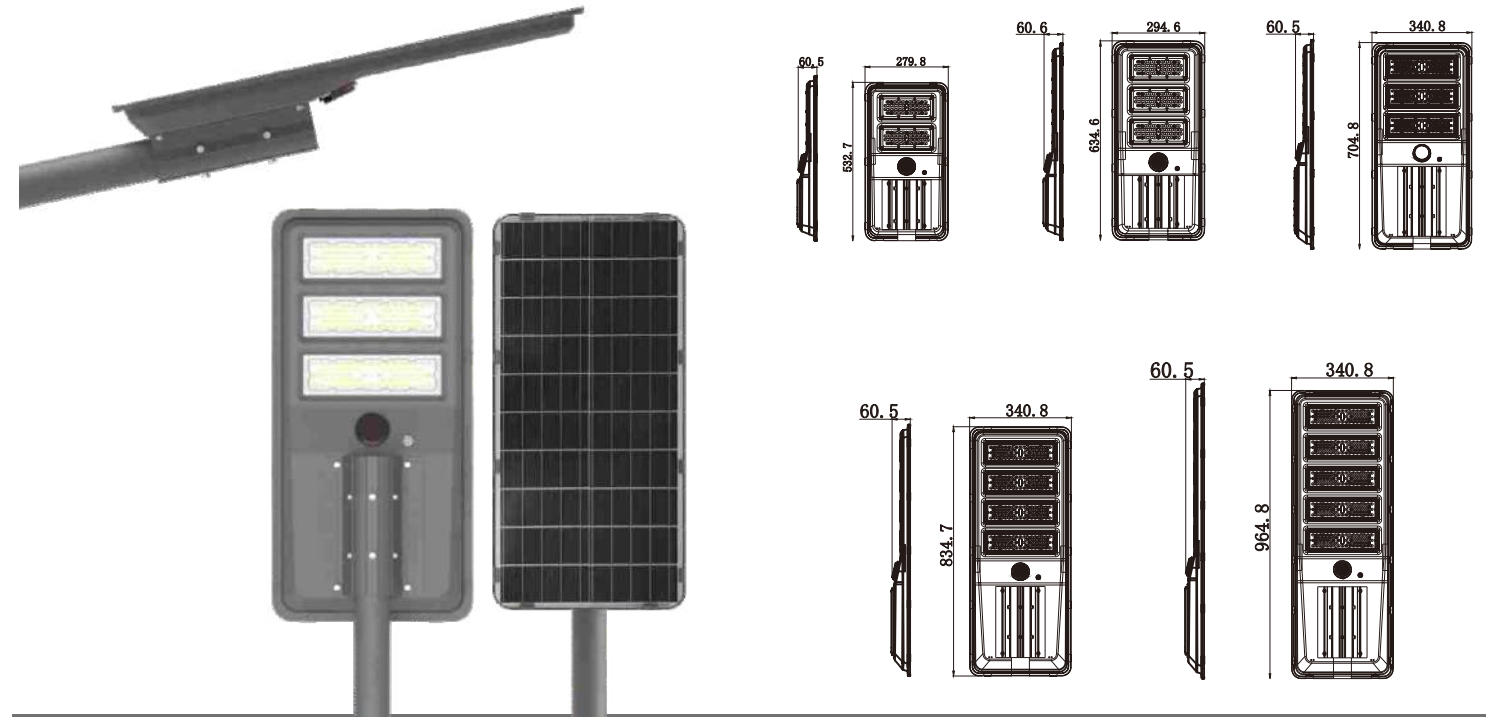


## TQ03-Z Series

Industrial Solar Street Light  
No afraid of rainy days,  
long lightingtime.  
High efficiency solar panel,  
High charging efficiency.



## TQ03-Z Series



## PRODUCT ADVANTAGES AND FEATURES

- ▶ Highlight
- ▶ Iron+PC
- ▶ IP65
- ▶ High Efficiency Solar Panel

Model NO.	Lumen	Solar Panel	Battery
TQ03-Z-200	2000lm	20W/5V	20AH 3.2V
TQ03-Z-300	3000lm	30W/5V	30AH 3.2V
TQ03-Z-400	4000lm	40W/5V	40AH 3.2V
TQ03-Z-500	5000lm	50W/5V	50AH 3.2V
TQ03-Z-600	6000lm	60W/5V	60AH 3.2V



# Solar Street Light

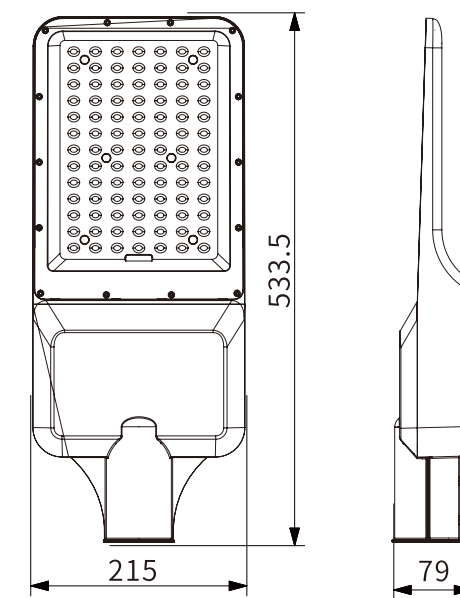


**TJ Series**

Die-casting Aluminum cover,  
long lighting time.  
High efficiency solar panel,  
High charging efficiency.



**TJ Series**



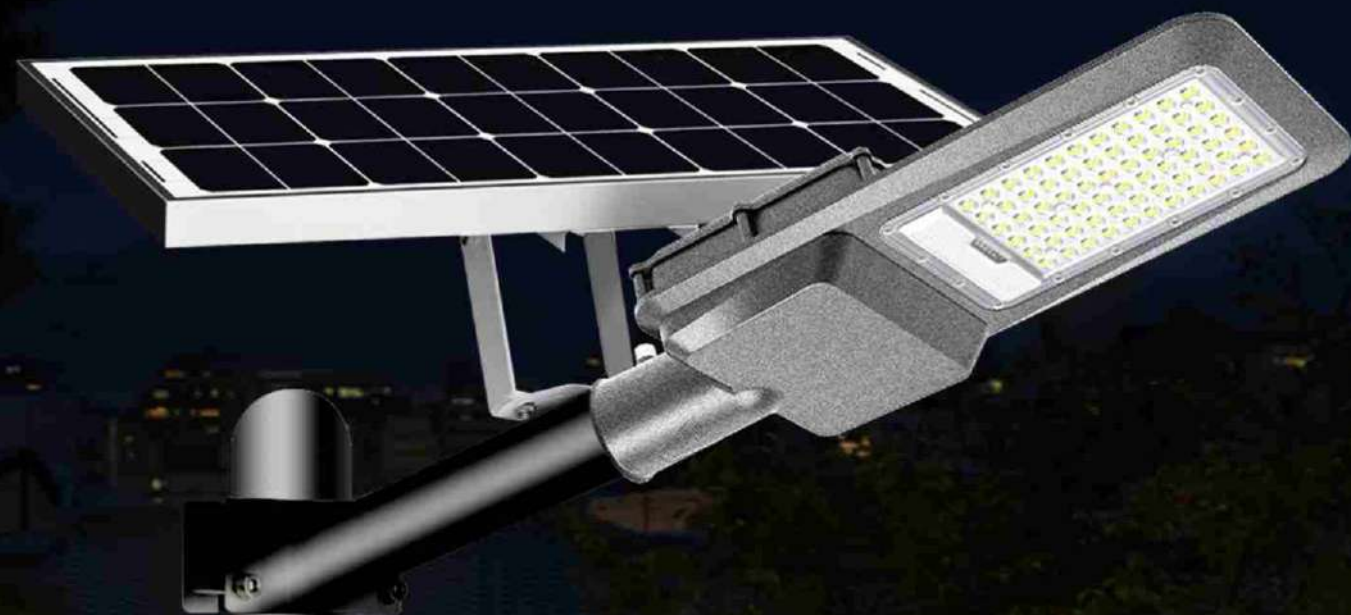
**PRODUCT ADVANTAGES AND FEATURES**

- ▶ Highlight
- ▶ Aluminum+PC
- ▶ IP65
- ▶ High Efficiency Solar Panel

Model NO.	Lumen	Solar Panel	Battery
TJ-300W	4100lm	30W/5V	30AH 3.2V
TJ-350W	5100lm	40W/5V	37.5AH 3.2V
TJ-450W	6000lm	45W/5V	45AH 3.2V



# Solar Street Light

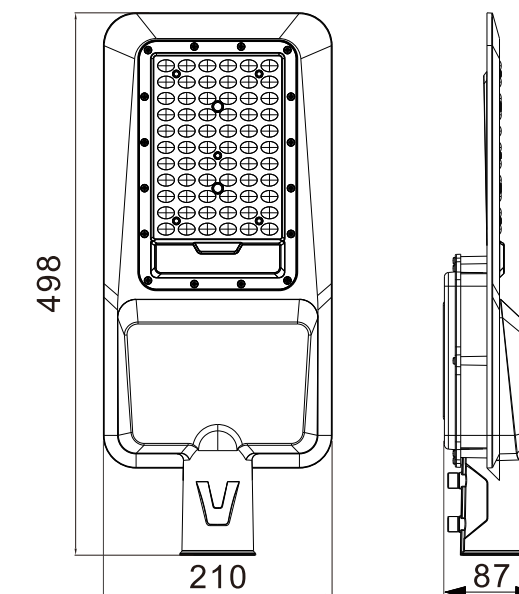


## TJ02 Series

Die-casting Aluminum cover,  
long lighting time.  
High efficiency solar panel,  
High charging efficiency.



## TJ02 Series



### PRODUCT ADVANTAGES AND FEATURES

- ▶ Highlight
- ▶ Aluminum+PC
- ▶ IP65
- ▶ High Efficiency Solar Panel

Model NO.	Lumen	Solar Panel	Battery
TJ02-250W	3600lm	25W/5V	25AH 3.2V
TJ02-300W	4100lm	30W/5V	30AH 3.2V
TJ02-400W	5200lm	40W/5V	37.5AH 3.2V



# Solar Street Light



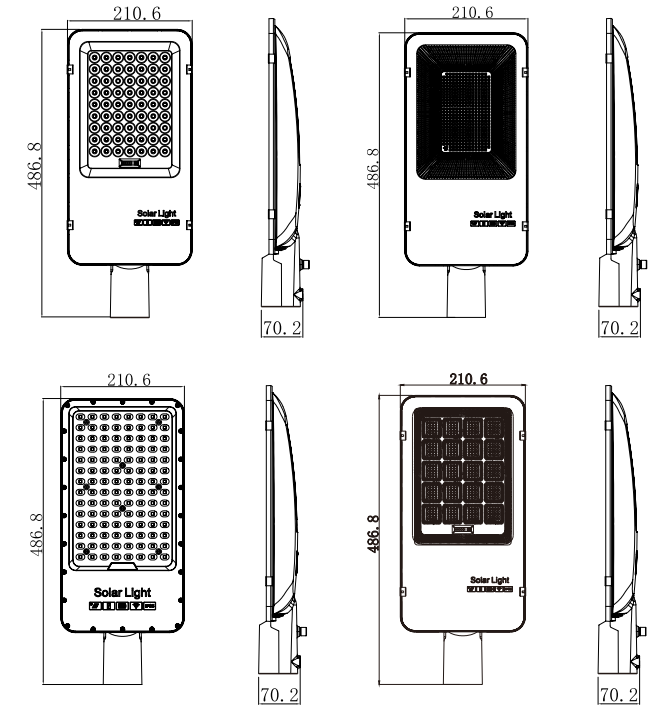
## TJ03 Series

Die-casting Aluminum cover,  
long lighting time.  
High efficiency solar panel,  
High charging efficiency.

## Solar Street Light



### TJ03 Series



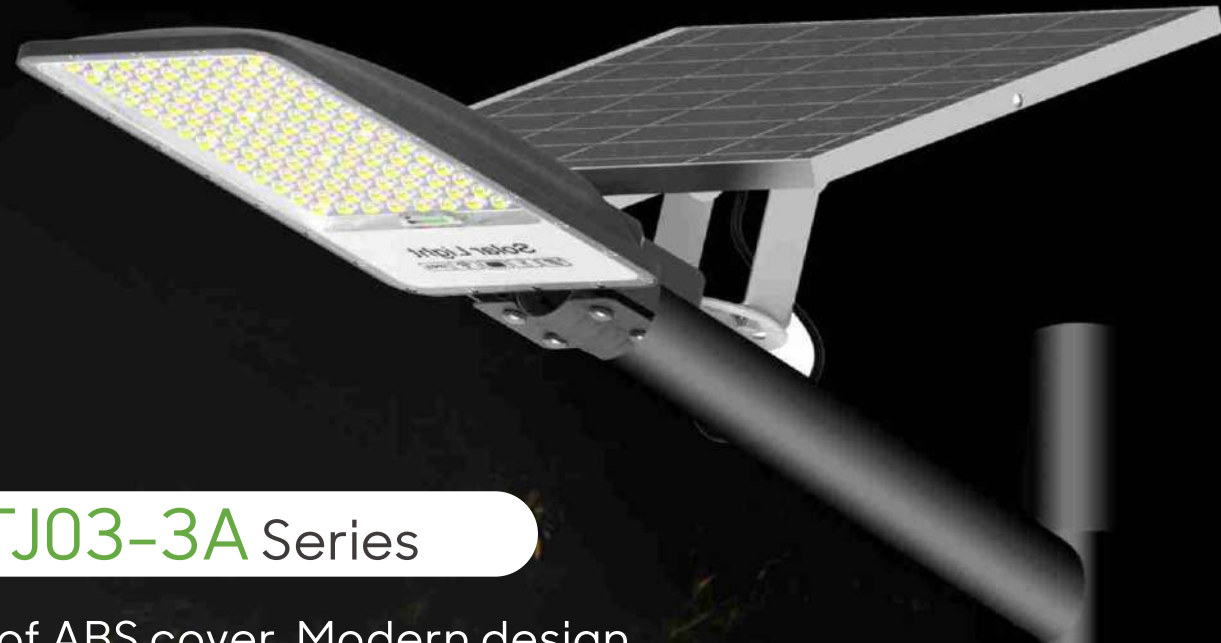
### PRODUCT ADVANTAGES AND FEATURES

- ▶ Highlight
- ▶ Aluminum+Glass/PC
- ▶ IP65
- ▶ High Efficiency Solar Panel

Model NO.	Lumen	Solar Panel	Battery
TJ03-250W	3300lm	25W/5V	25AH 3.2V
TJ03-300W	3900lm	30W/5V	30AH 3.2V
TJ03-400W	4900lm	40W/5V	37.5AH 3.2V
TJ03-450W	6000lm	45W/5V	45AH 3.2V



# Solar Street Light

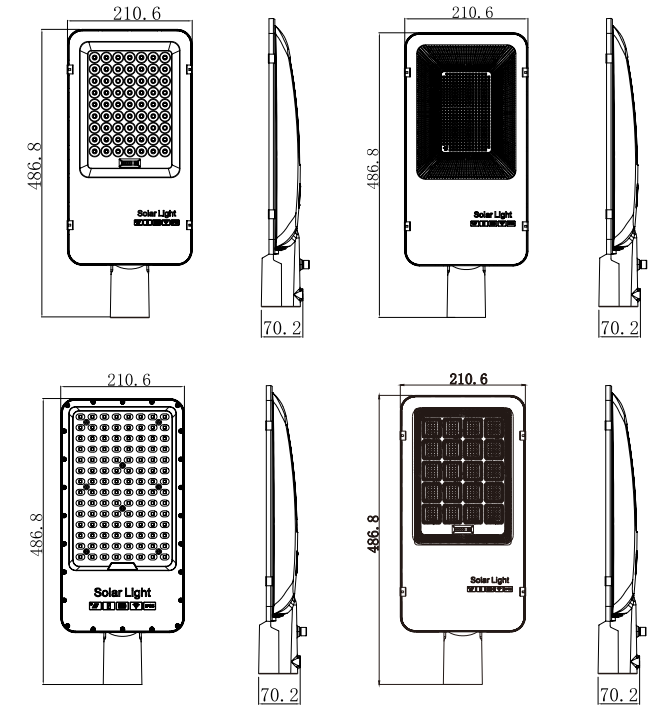


## TJ03-3A Series

UV-proof ABS cover, Modern design  
High efficiency Solar Panel.



## TJ03-3A Series



### PRODUCT ADVANTAGES AND FEATURES

- ▶ Highlight
- ▶ ABS+Glass/PC
- ▶ IP65
- ▶ High Efficiency Solar Panel

Model NO.	Lumen	Solar Panel	Battery
TJ03-3A-15000MAH	2100lm	20W/5V	15AH 3.2V
TJ03-3A-20000MAH	2800lm	30W/5V	20AH 3.2V
TJ03-3A-30000MAH	4200lm	35W/5V	30AH 3.2V
TJ03-3A-45000MAH	6300lm	50W/5V	45AH 3.2V



# Solar Street Light



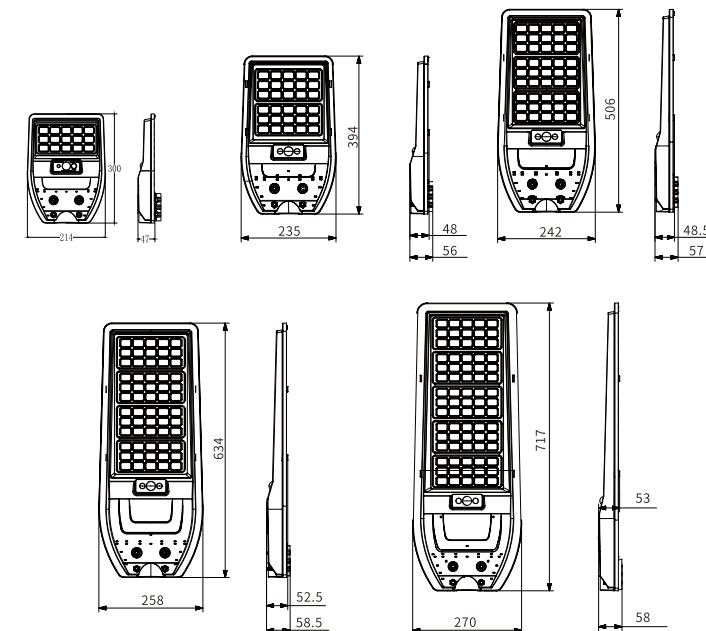
## CJ Series

Precise PIR sensor, long lighting time.  
High efficiency solar panel,  
High charging efficiency.



## Solar Street Light

### CJ Series



### PRODUCT ADVANTAGES AND FEATURES

- ▶ Highlight
- ▶ ABS+PC
- ▶ PIR Sensor
- ▶ High Efficiency Solar Panel

Model NO.	Lumen	Solar Panel	Battery
CJ-50W	600lm	5W/5V (Polycrystal)	5AH 3.2V
CJ-100W	1200lm	10W/5V (Polycrystal)	10AH 3.2V
CJ-150W	1800lm	15W/5V (Polycrystal)	15AH 3.2V
CJ-200W	2400lm	20W/5V (Monocrystal)	20AH 3.2V



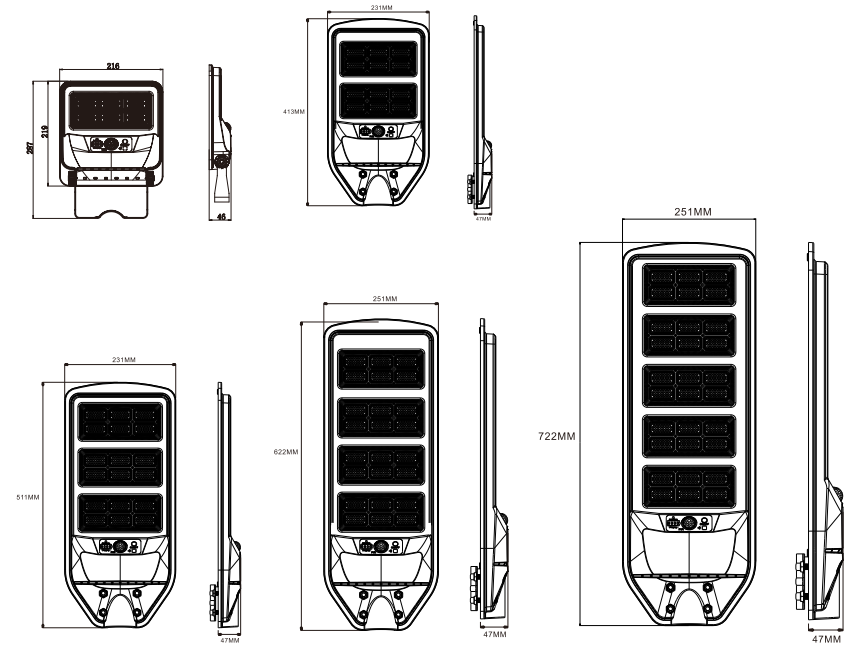
# Solar Street Light

## CJ02-YX Series

Precise PIR sensor, no misjudgment when wind & rain.  
Battery & working state indicator, battery capacity & working mode is clear at a glance.



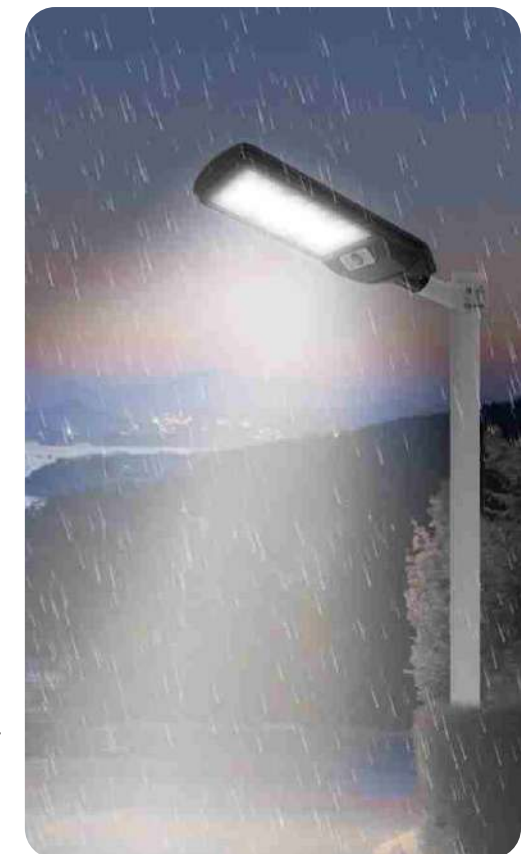
## CJ02-YX Series



### PRODUCT ADVANTAGES AND FEATURES

- ▶ Highlight
- ▶ ABS+PC
- ▶ IPX4 & IP65 for optional
- ▶ High Efficiency Solar Panel

Model NO.	Lumen	Solar Panel	Battery
CJ02-YX	600lm	6W/5V	4AH 3.2V
CJ02-YX	600lm/1200lm	8W/5V	4AH 3.2V/8AH 3.2V
CJ02-YX	1300lm/1800lm	12W/5V	8AH 3.2V/12AH 3.2V
CJ02-YX	1900lm/2250lm	15W/5V	12AH 3.2V/15AH 3.2V
CJ02-YX	2350lm/2700lm	20W/5V	15H 3.2V/18AH 3.2V





# Solar Street Light

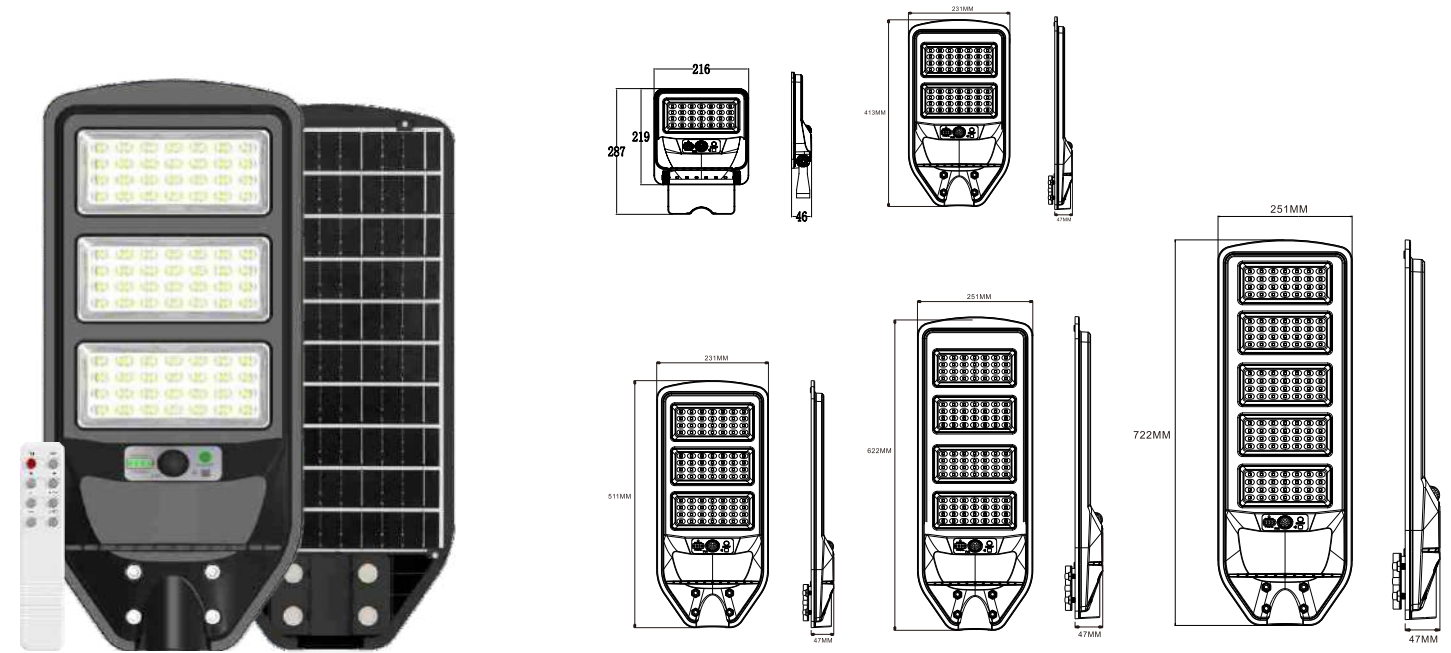


## CJ02-TJ Series

Precise PIR sensor, no misjudgment when wind & rain.  
 Battery & working state indicator, battery capacity & working mode is clear at a glance.



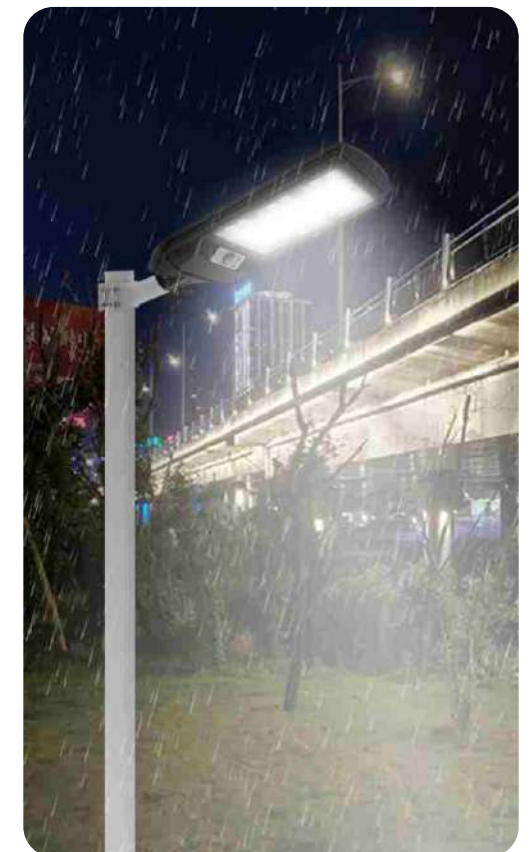
## CJ02-TJ Series



## PRODUCT ADVANTAGES AND FEATURES

- ▶ Highlight
- ▶ ABS+Lens
- ▶ PIR Sensor
- ▶ High Efficiency Solar Panel

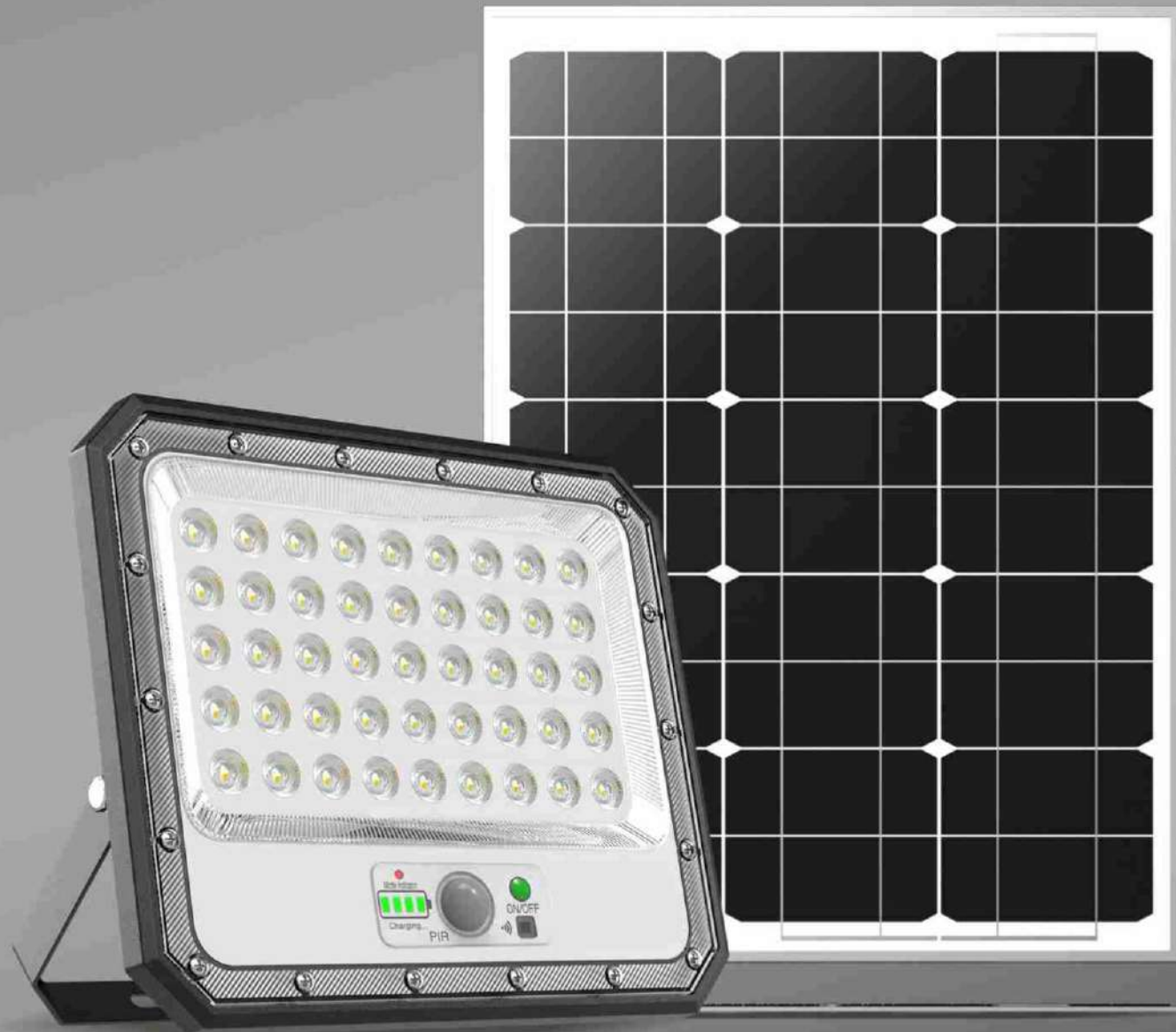
Model NO.	Lumen	Solar Panel	Battery
CJ02-TJ	600lm	6W/5V	4AH 3.2V
CJ02-TJ	600lm/1200lm	8W/5V	4AH 3.2V/8AH 3.2V
CJ02-TJ	1300lm/1800lm	12W/5V	8AH 3.2V/12AH 3.2V
CJ02-TJ	1900lm/2250lm	15W/5V	12AH 3.2V/15AH 3.2V
CJ02-TJ	2350lm/2700lm	20W/5V	15H 3.2V/18AH 3.2V



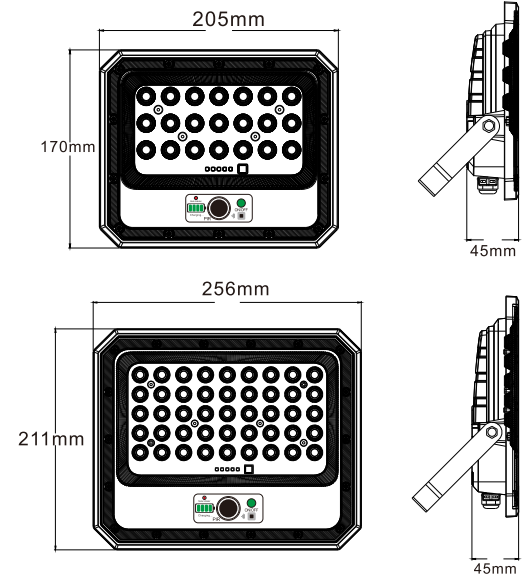
# Solar Flood Light

## JLTJ-PIR Series

UV-proof ABS cover, Modern design  
High efficiency Solar Panel.



## JLTJ-PIR Series



### PRODUCT ADVANTAGES AND FEATURES

- ▶ Highlight
- ▶ PIR Sensor
- ▶ IP65
- ▶ High Efficiency Solar Panel

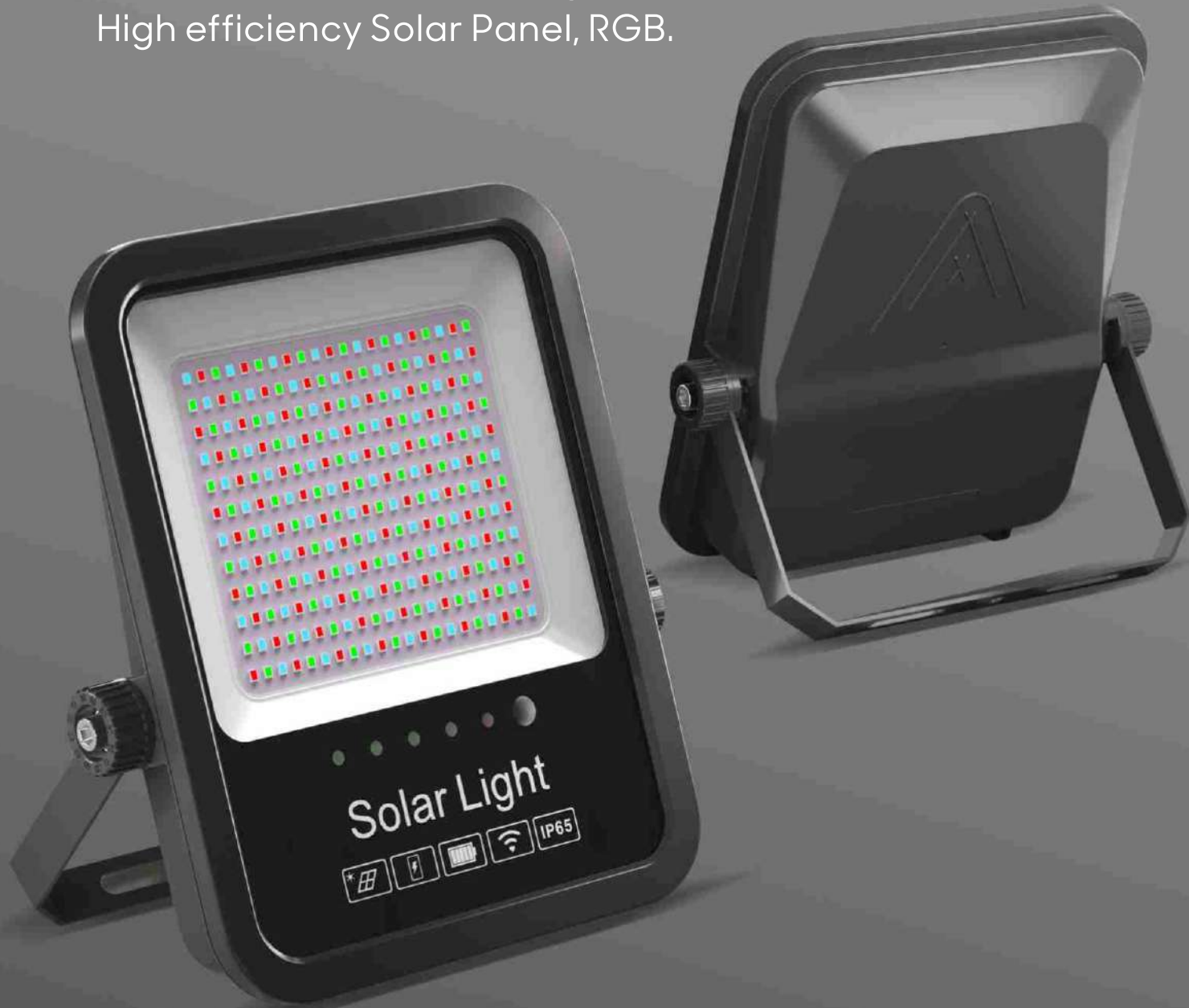
Model NO.	Lumen	Battery/Solar Panel	Lamp Size
JLTJ(PIR)-050W	600lm	4AH 3.2V / 6W 5V	205x170x45mm
JLTJ(PIR)-100W	1200lm	12.5AH 3.2V / 10W 5V	256x211x45mm
JLTJ(PIR)-150W	2100lm	15AH 3.2V / 15W 5V	256x211x45mm



# Solar Flood Light

## RYJX-RGB Series

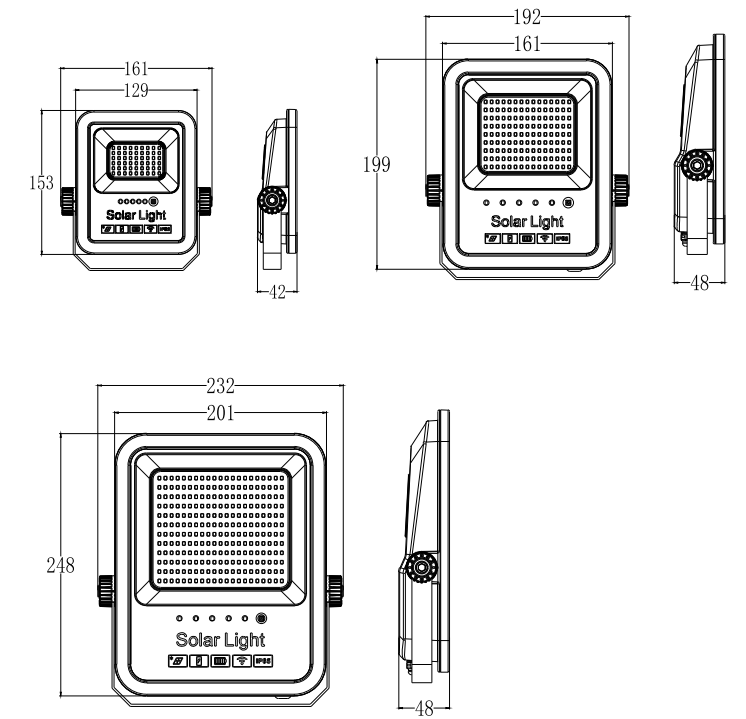
New battery, Modern design  
High efficiency Solar Panel, RGB.



## Solar Flood Light



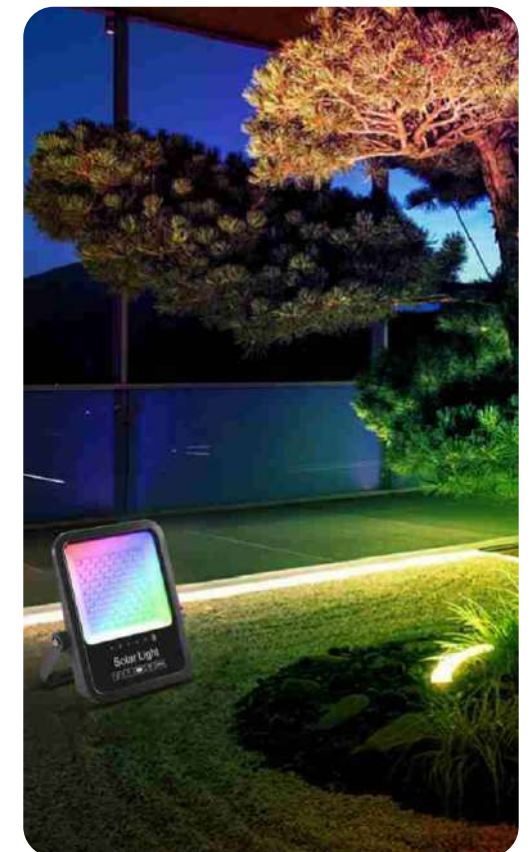
## RYJX-RGB Series



## PRODUCT ADVANTAGES AND FEATURES

- ▶ Highlight
- ▶ RGB
- ▶ IP65
- ▶ High Efficiency Solar Panel

Model NO.	Lumen	Battery/Solar Panel	Lamp Size
RYJX-RGB-040W	150lm	4AH 3.2V / 6W 5V	129x153x42mm
RYJX-RGB-080W	300lm	8AH 3.2V / 10W 5V	161x199x48mm
RYJX-RGB-120W	450lm	12AH 3.2V / 15W 5V	201x248x48mm
RYJX-RGB-160W	600lm	16AH 3.2V / 18W 5V	201x248x48mm



# Solar Flood Light

## RyjXH-rgb Series

New battery, Modern design  
High efficiency Solar Panel, RGB.



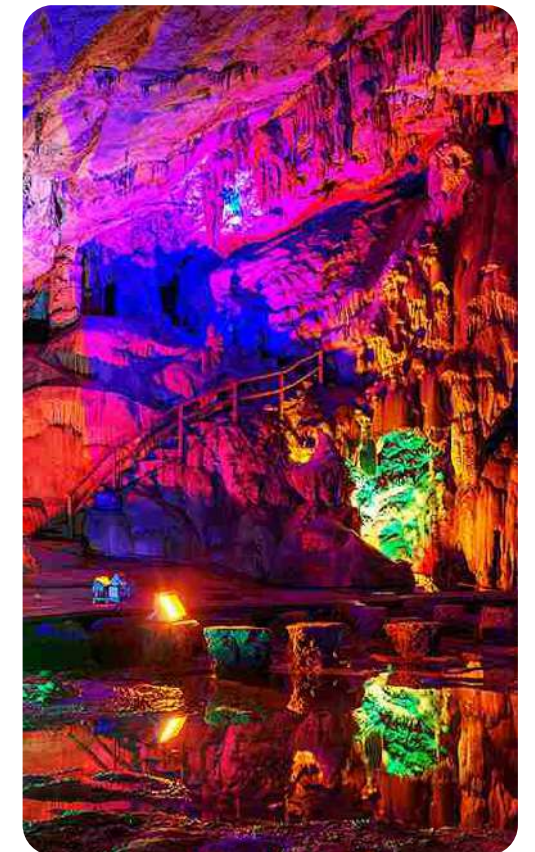
## RyjXH-rgb Series



### PRODUCT ADVANTAGES AND FEATURES

- ▶ Highlight
- ▶ RGB
- ▶ IP65
- ▶ High Efficiency Solar Panel

Model NO.	Lumen	Battery/Solar Panel	Lamp Size
RYJXH-rgb-040W	150lm	4AH 3.2V / 6W 5V	154x128x47mm
RYJXH-rgb-080W	300lm	8AH 3.2V / 10W 5V	200x159x53mm
RYJXH-rgb-120W	450lm	12AH 3.2V / 15W 5V	250x200x53mm
RYJXH-rgb-160W	600lm	16AH 3.2V / 18W 5V	250x200x53mm



# Solar Strip Light

## DD Series

12-14 hours lighting time after full charge,  
Unique & charming.



## Solar Strip Light



## DD Series



High Brightness



Easy Installation

### PRODUCT ADVANTAGES AND FEATURES

- ▶ Solar Charging
- ▶ Long Standby Time
- ▶ IP65
- ▶ High Efficiency Solar Panel

Model NO.	Solar Panel	Battery	Length
DD-018W	1.6W/5V	1.6AH 3.2V	5M
DD-040W	4.5W/5V	4AH 3.2V	10M
DD-080W	10W/5V	8AH 3.2V	15M/20M
DD-200W	20W/5V	20AH 3.2V	30M/40M



# Solar Garden Light

**TY02 Series**

12-14 hours lighting time after full charge  
 Unique & charming.



Solar Garden Light



**TY02 Series**



**PRODUCT ADVANTAGES AND FEATURES**

- ▶ Highlight
- ▶ Long Standby time
- ▶ IP54
- ▶ High Efficiency Solar Panel

Model NO.	Lumen	Solar Panel	Battery
TY02-100W (No light ring)	1600lm	12W/5V(Poly)	10AH 3.2V
TY02-150W (No light ring)	2000lm	15W/5V(Mono)	15AH 3.2V
TY02-200W (With light ring)	2600lm	20W/5V(Poly)	20AH 3.2V
TY02-250W (With light ring)	3200lm	25W/5V(Mono)	25AH 3.2V



# Solar Garden Light



Mobile water tank



## TY02 Series

12-14 hours lighting time after full charge  
Unique & charming.

## Solar Garden Light



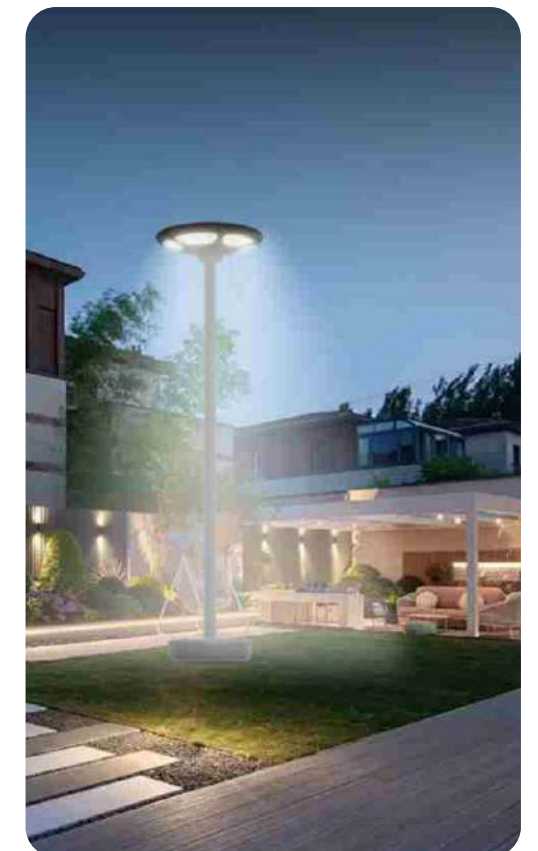
### TY02 Series



### PRODUCT ADVANTAGES AND FEATURES

- ▶ Highlight
- ▶ Long Standby time
- ▶ IP54
- ▶ High Efficiency Solar Panel

Model NO.	Lumen	Solar Panel	Battery
TY02-120W	1600lm	12W/5V(Poly)	12AH 3.2V
Y02-150W	2000lm	15W/5V(Mono)	15AH 3.2V



# Solar Lawn Light

**UFO Series**

Dual lighting sources design,  
PIR sensor available  
12-14 hours lighting time after  
full charge,  
Unique & charming.



**UFO Series**



**PRODUCT ADVANTAGES AND FEATURES**

- ▶ Highlight
- ▶ Function switchable
- ▶ IPX4
- ▶ PIR Sensor

Model NO.	Solar Panel	Battery	Induction Mode
UFO	4W/5V	2.0AH/3.2V	Lighting Control





- Material:ABS+PC
- Auto Mode Max.Working Time:12H
- Charging Time:4-6H

PRODUCT FEATURES

- Three working modes are changeable: High-light, semi-light, breathing.
- Poly crystal solar panel in black ground
- Certified 3.7V LiFePO4 battery, longer lifespan, no problem for shipping.



Model NO.	Solar Panel	Battery	Chips & QTY	Lamp Size	Solar Panel Size
LY04	2W / 5V	1800mAH / 3.7V	Chips & QTY	255X67mm	Solar Panel Size



- Material:ABS+PC
- Auto Mode Max.Working Time:12H
- Charging Time:4-6H

PRODUCT FEATURES

- Three working modes are changeable: High-light, semi-light, breathing.
- Poly crystal solar panel in black ground
- Certified 3.7V LiFePO4 battery, longer lifespan, no problem for shipping.



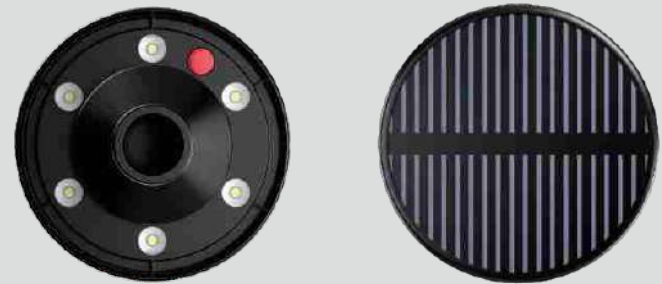
Model NO.	Solar Panel	Battery	Chips & QTY	Lamp Size	Solar Panel Size
LY06	4W / 5V	4000mAH / 3.7V	Chips & QTY	255X67mm	Solar Panel Size



- Material:ABS+PC
- Auto Mode Max.Working Time:12H
- Charging Time:4-6H

PRODUCT FEATURES

- Unique appearance design, Private Mould, more competitive.
- Lighting Control: Light OFF and charging on daytime, Light ON at night.
- Certified 3.2V LiFePO4 battery, longer lifespan, no problem for shipping.



Model NO.	Solar Panel	Battery	Chips & QTY	Lamp Size	Solar Panel Size
FY-CW-WW	1.1W / 5V	1500mAh / 3.2V	3030 6PCS	φ126X472mm	φ115X2mm
FY-RGB	1.1W / 5V	1500mAh / 3.2V	3030 6PCS / RGB	φ126X472mm	φ115X2mm



- Material:ABS+PC
- Auto Mode Max.Working Time:12H
- Charging Time:4-6H

PRODUCT FEATURES

- Three working modes are changeable: High-light, semi-light, breathing.
- Poly crystal solar panel in black ground
- Certified 3.7V LiFePO4 battery, longer lifespan, no problem for shipping.



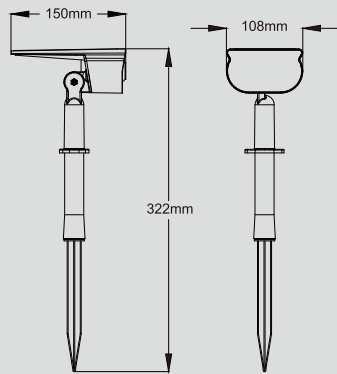
Model NO.	Solar Panel	Battery	Chips & QTY	Lamp Size	Solar Panel Size
FY02	0.08W / 5V	14500/600mAh / 3.7V	Chips & QTY	φ113X415mm	Solar Panel Size



- Material:ABS+PC
- Auto Mode Max.Working Time:12H
- Charging Time:4-6H

PRODUCT FEATURES

- Ground installation and Wall mounted installation.
- Three working modes are changeable: High-light, semi-light, breathing.



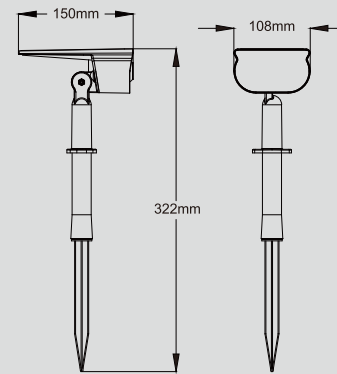
Model NO.	Solar Panel	Battery	Chips & QTY	Lamp Size	Solar Panel Size
MTY-FX	1.2W / 5V	18650/1500mAh / 3.2V	3030 6PCS	150X108X322mm	φ115X2mm
MTY-JX	1.2W / 5V	18650/1500mAh / 3.2V	3030 6PCS / RGB	150X108X322mm	φ115X2mm



- Material:ABS+PC
- Auto Mode Max.Working Time:12H
- Charging Time:4-6H

PRODUCT FEATURES

- Ground installation and Wall mounted installation.
- Three working modes are changeable: High-light, semi-light, breathing.



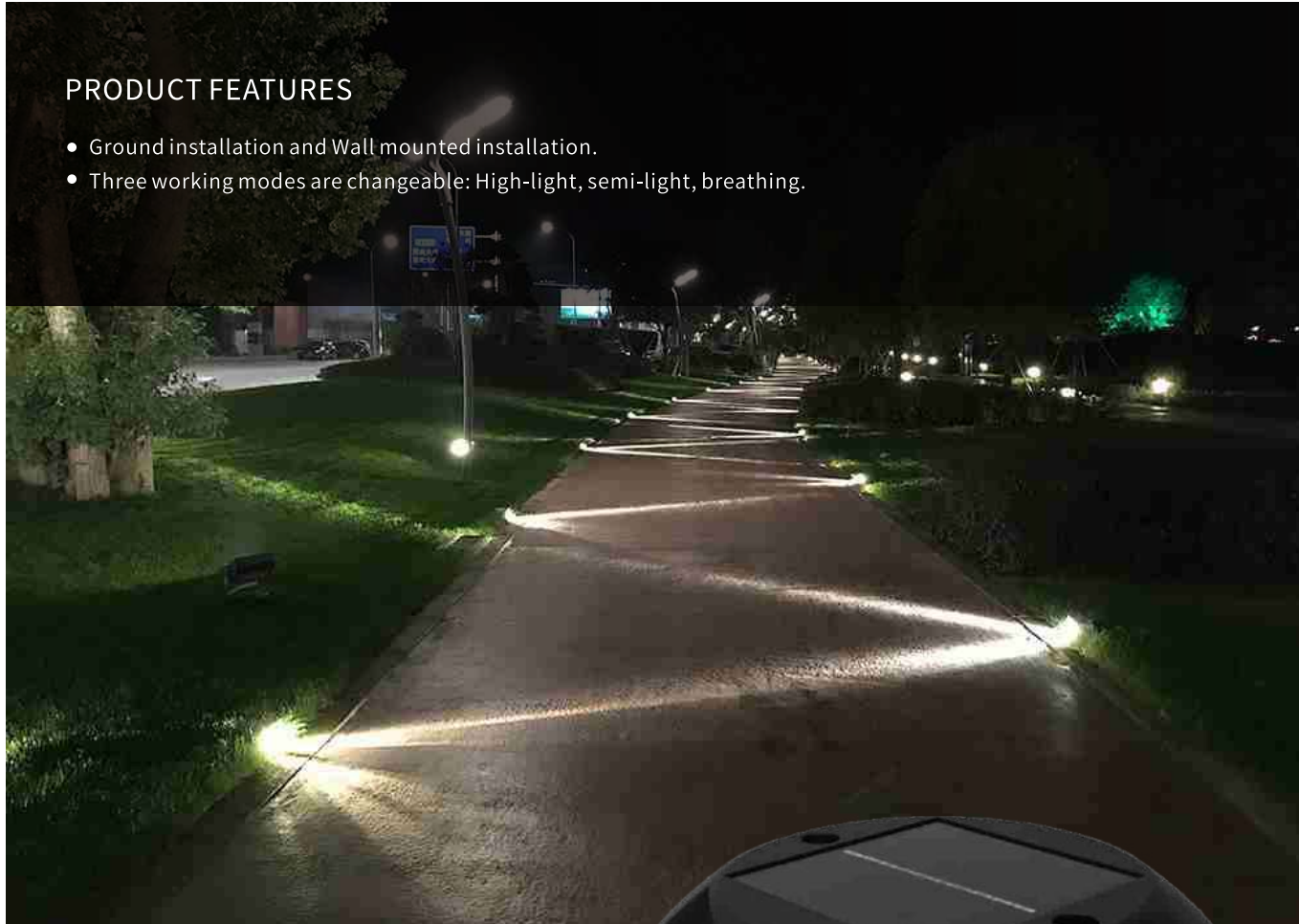
Model NO.	Solar Panel	Battery	Chips & QTY	Lamp Size	Solar Panel Size
MTY-FGB	1.2W / 5V	18650/1500mAh / 3.2V	Chips & QTY	150X108X322mm	Solar Panel Size



- Material:ABS+PC
- Auto Mode Max.Working Time:12H
- Charging Time:4-6H

PRODUCT FEATURES

- Ground installation and Wall mounted installation.
- Three working modes are changeable: High-light, semi-light, breathing.



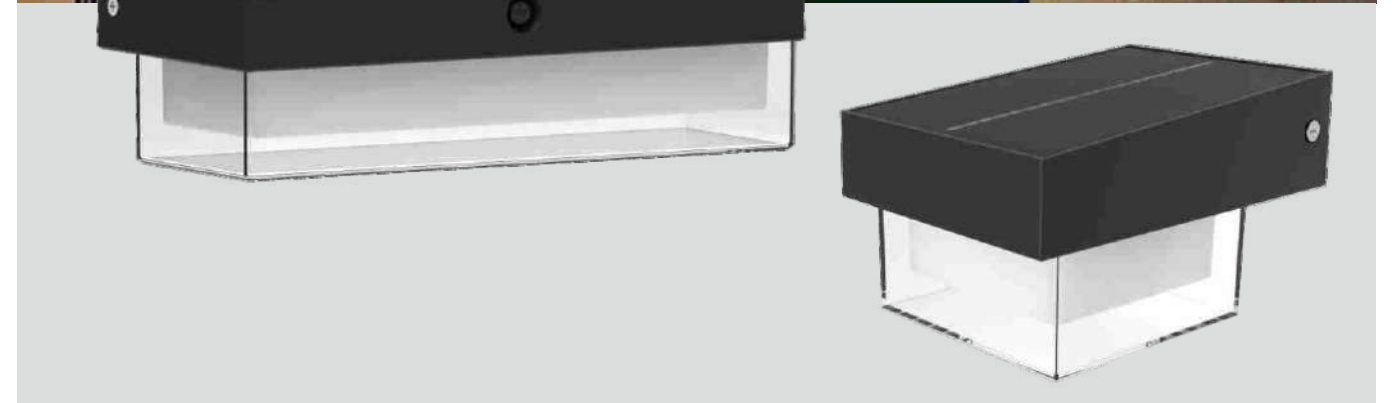
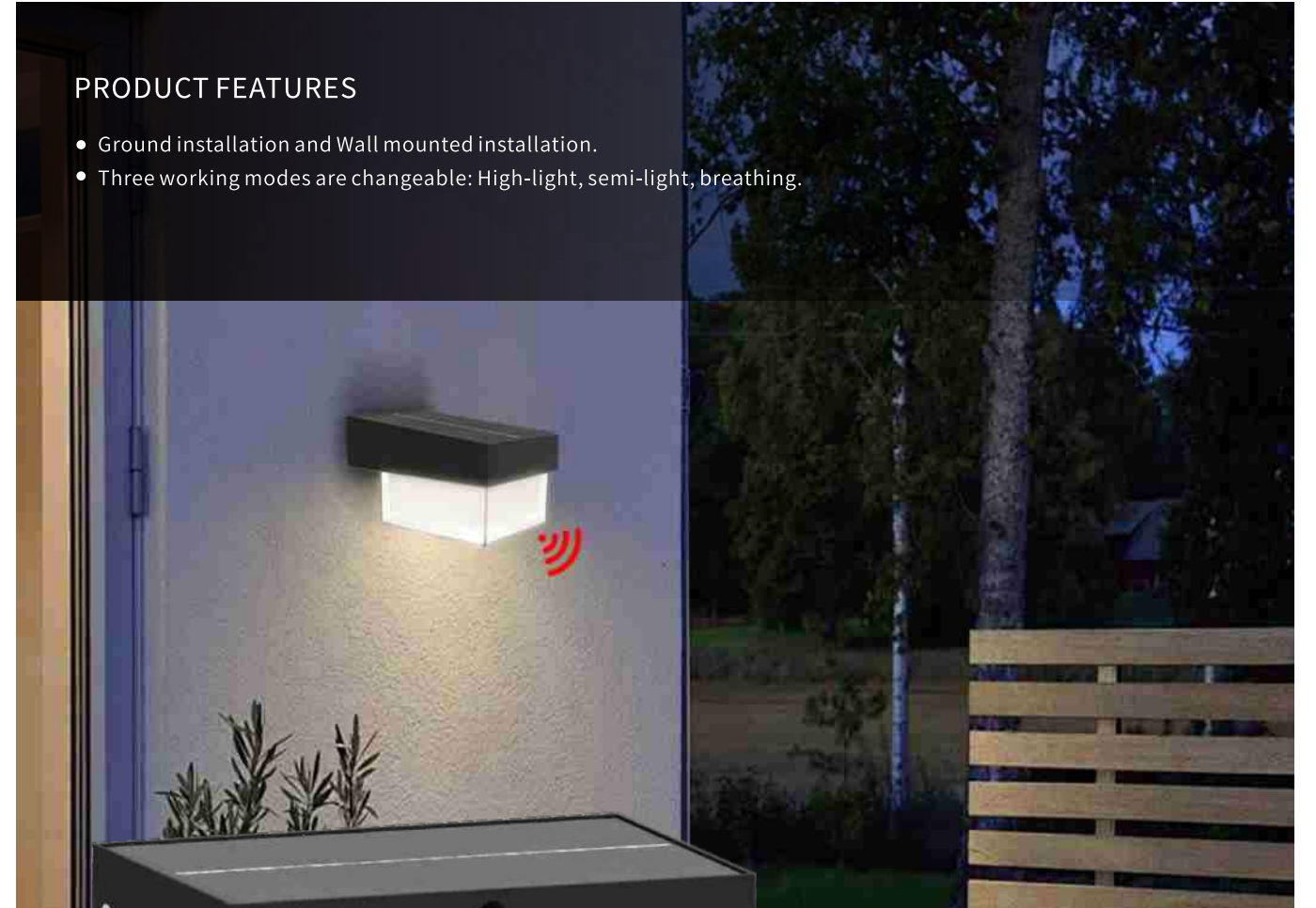
Model NO.	Solar Panel	Battery	Chips & QTY	Lamp Size	Solar Panel Size
BBD	0.13/0.26W / 5V	600mAH / 3.7V	<b>Chips &amp; QTY</b>	107X107X30mm	<b>Solar Panel Size</b>



- Material:ABS+PC
- Auto Mode Max.Working Time:12H
- Charging Time:4-6H

PRODUCT FEATURES

- Ground installation and Wall mounted installation.
- Three working modes are changeable: High-light, semi-light, breathing.



Model NO.	Solar Panel	Battery	Chips & QTY	Lamp Size	Solar Panel Size
SZBD	4W / 5V	18650/1500mAH / 3.7V	<b>Chips &amp; QTY</b>	143X95X82mm	<b>Solar Panel Size</b>



- Material:ABS+PC
- Auto Mode Max.Working Time:12H
- Charging Time:4-6H

PRODUCT FEATURES

- Ground installation and Wall mounted installation.
- Three working modes are changeable: High-light, semi-light, breathing.



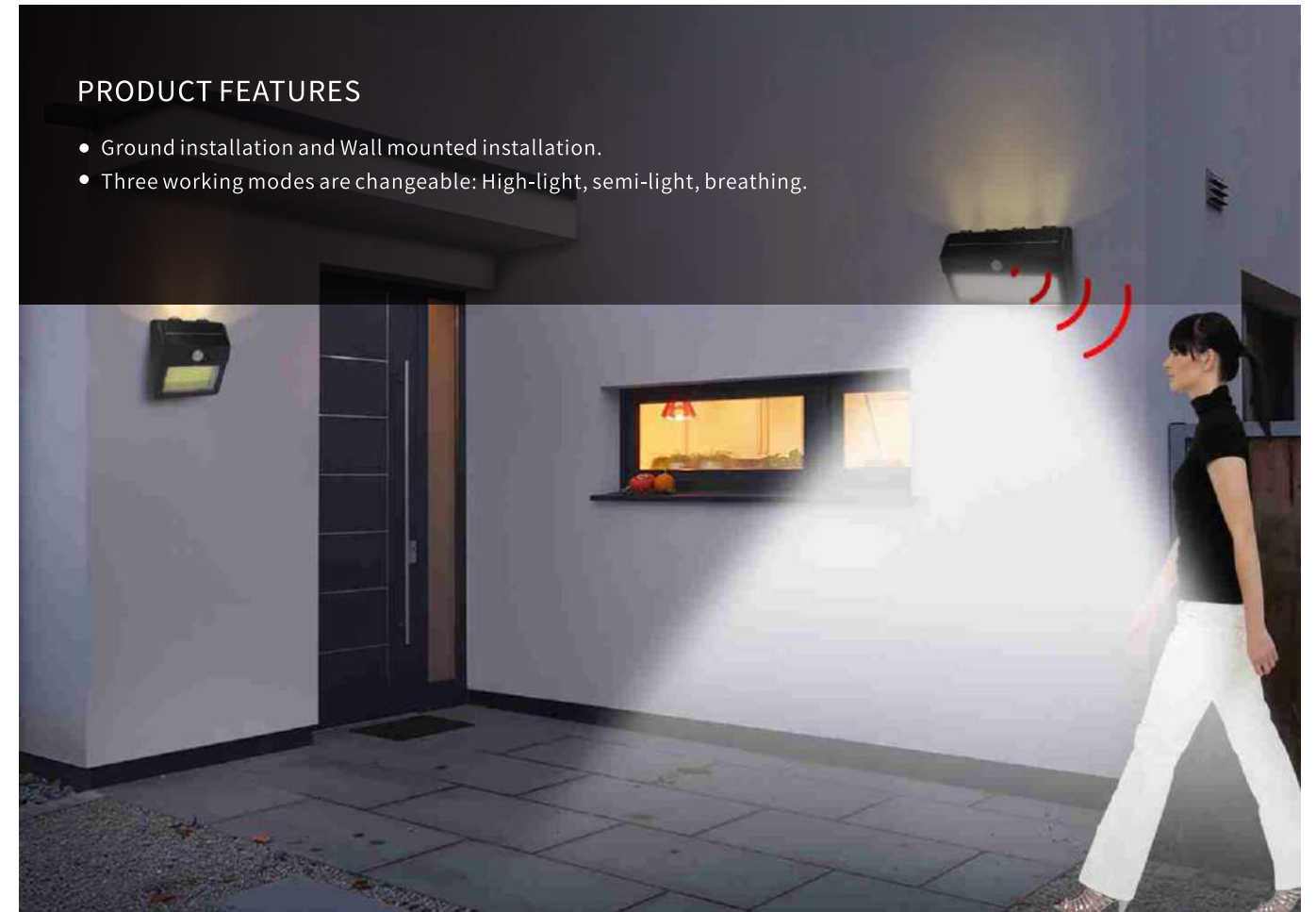
Model NO.	Solar Panel	Battery	Chips & QTY	Lamp Size	Solar Panel Size
WQD-02	1.2W / 5V	600/1200mAh / 3.2V	3030 6PCS	111X72X36.5mm	φ115X2mm
WQD-04	1.2W / 5V	600/1200mAh / 3.2V	3030 6PCS / RGB	135X97X40.5mm	φ115X2mm



- Material:ABS+PC
- Auto Mode Max.Working Time:12H
- Charging Time:4-6H

PRODUCT FEATURES

- Ground installation and Wall mounted installation.
- Three working modes are changeable: High-light, semi-light, breathing.



Model NO.	Solar Panel	Battery	Chips & QTY	Lamp Size	Solar Panel Size
XQBD-02	1.2W / 5V	18500/1000mAh / 3.2V	3030 6PCS	118X130X58mm	φ115X2mm
XQBD-04	1.2W / 5V	18650/1500mAh / 3.2V	3030 6PCS / RGB	200X130X59mm	φ115X2mm



# Solar Wall Light

## SD Series

12-14 hours lighting time after full charge,  
Unique & charming,



## SD Series



S4D



S6D

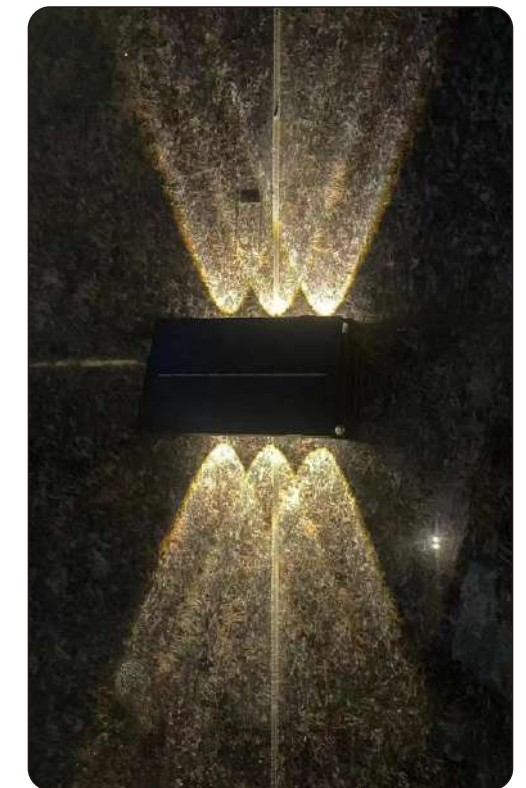


S8D

### PRODUCT ADVANTAGES AND FEATURES

- ▶ Highlight
- ▶ Rotable
- ▶ IPX4

Model NO.	Lumen	Battery	Induction Mode
S4D	400lm	1.5AH/3.2V	Lighting Control
S6D	600lm	1.8AH/3.2V	Lighting Control
S8D	800lm	2.0AH/3.2V	Lighting Control



# Solar Wall Light



## DSY Series

Dual lighting sources design,  
PIR sensor available  
12-14 hours lighting time after  
full charge,  
Unique & charming.



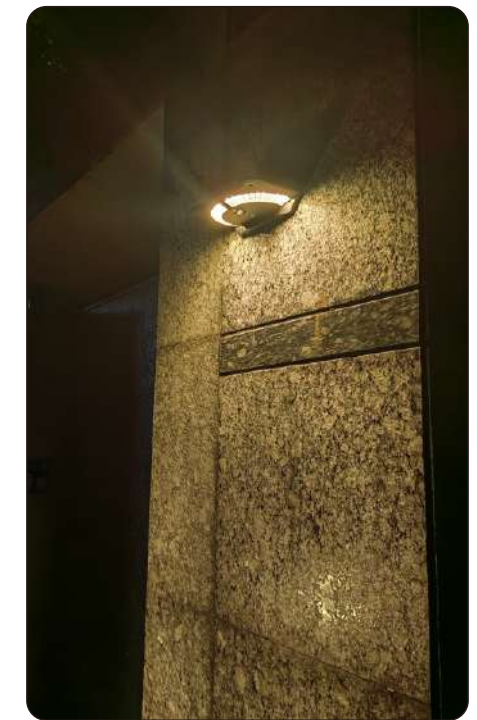
## DSY Series



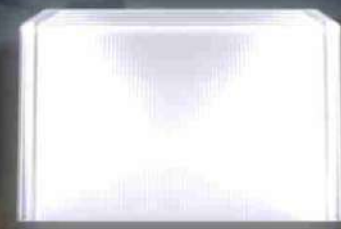
## PRODUCT ADVANTAGES AND FEATURES

- ▶ Highlight
- ▶ Function switchable
- ▶ IPX4
- ▶ PIR Sensor

Model NO.	Solar Panel	Battery	Induction Mode
DSY	3W/5V	2.0AH/3.2V	Lighting Control



# Solar Post Light

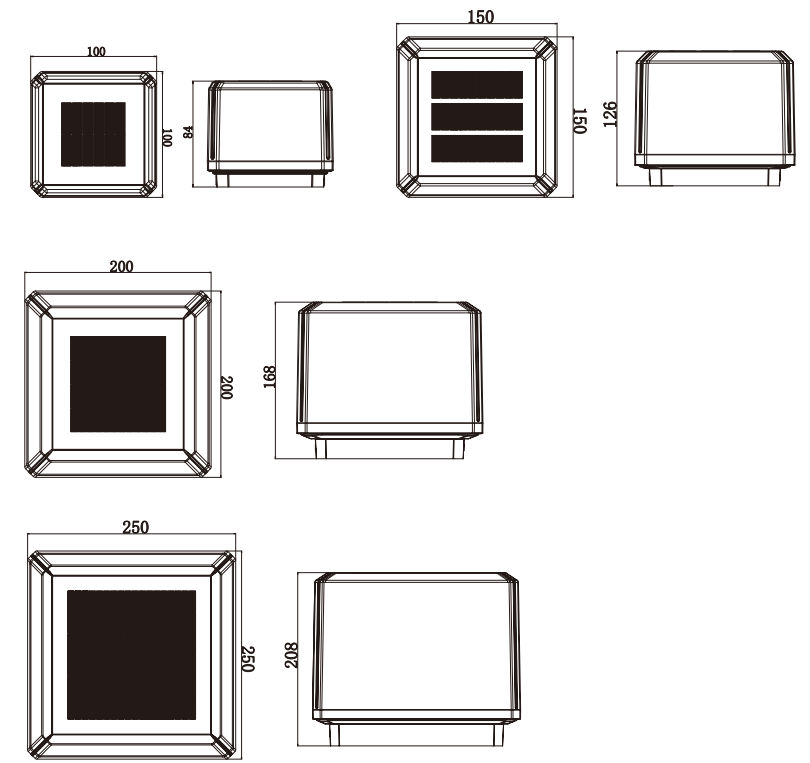
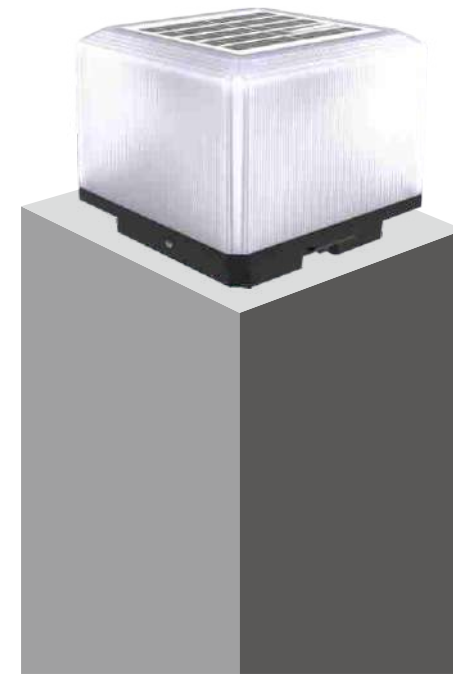


## QW02 Series

12-14 hours lighting time after full charge  
Unique & charming.



## QW02 Series



## PRODUCT ADVANTAGES AND FEATURES

- ▶ Highlight
- ▶ Long Standby time
- ▶ IP54
- ▶ High Efficiency Solar Panel

Model NO.	Lumen	Solar Panel	Battery
QW02-100	60lm	80X80x3mm/0.8W	1.0AH 3.2V
QW02-150	90lm	110X110X3mm/1.6W	1.5AH 3.2V
QW02-200	110lm	140X140X3mm/2W	1.8AH 3.2V
QW02-250	230lm	190X190X3mm/4.5W	4AH 3.2V





# Portable Work Light

## RY-GZD Series

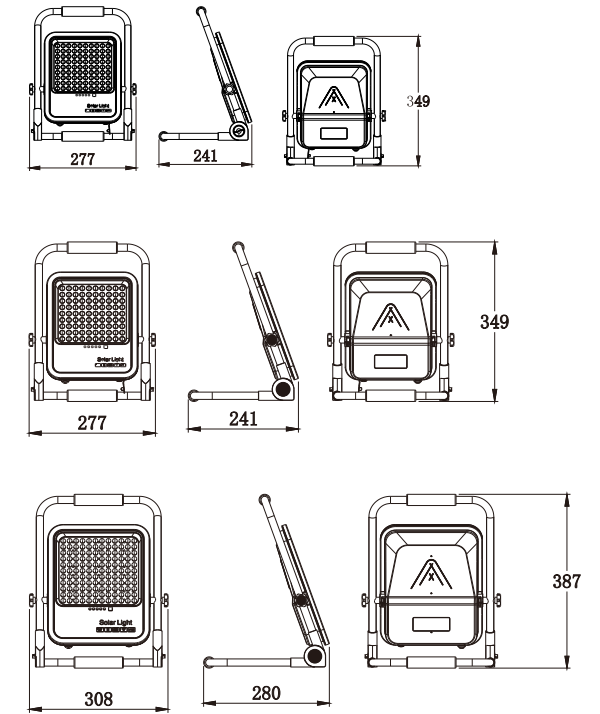
12-14 hours lighting time after full charge  
Unique & charming.



## Portable Work Light



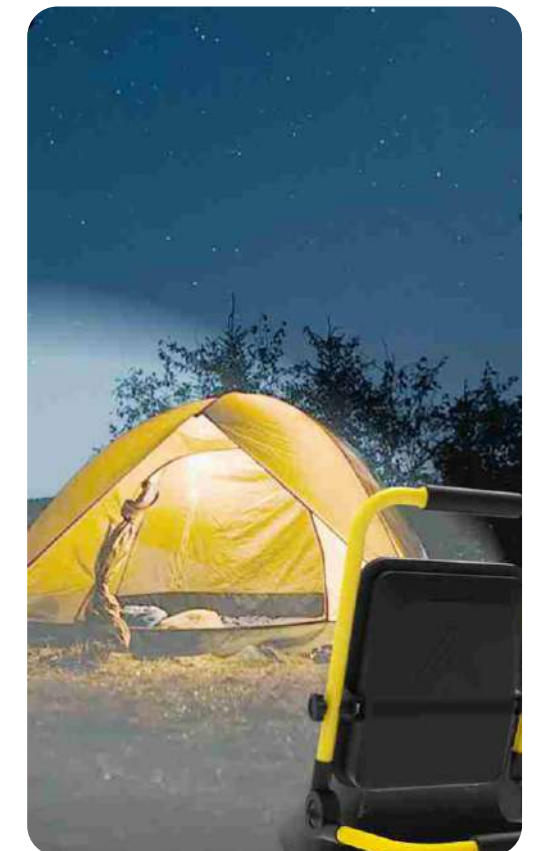
### RY-GZD Series



### PRODUCT ADVANTAGES AND FEATURES

- ▶ Highlight
- ▶ Rotable
- ▶ IP65
- ▶ Long standby time

Model NO.	Lumen	Battery	Solar Panel
RY-GZD-01	800lm	6AH	Option
RY-GZD-02	1600lm	12AH	Option



# Portable Work Light

## GZD Series

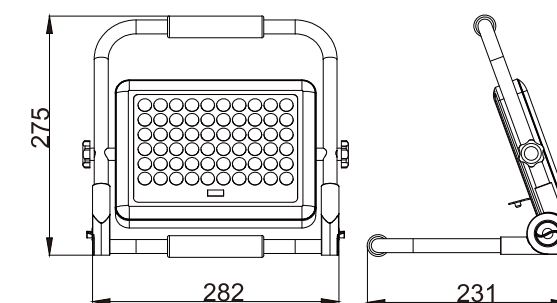
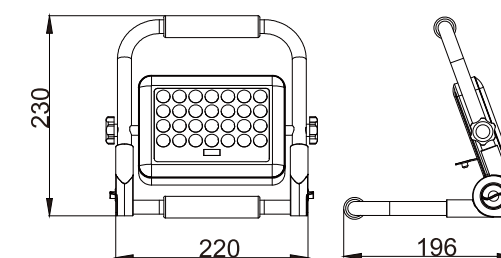
12-14 hours lighting time after full charge  
Unique & charming.



## Portable Work Light



### GZD Series



### PRODUCT ADVANTAGES AND FEATURES

- ▶ Highlight
- ▶ Rotable
- ▶ IP65
- ▶ Long standby time

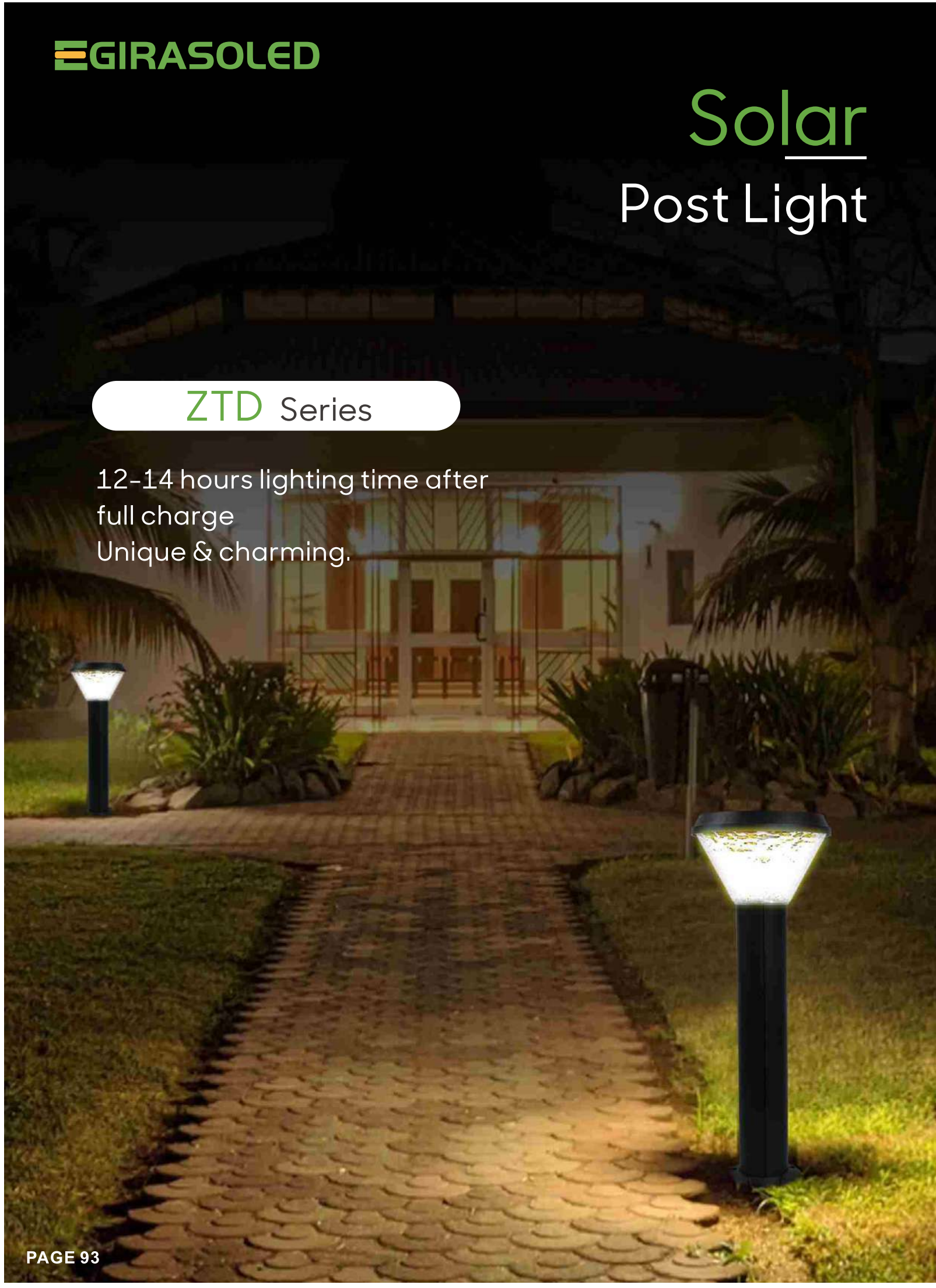
Model NO.	Lumen	Battery	Solar Panel
GZD-AAL04	400lm	4AH	/
GZD-AAL08	800lm	6AH	Option
GZD-AAL12	1200lm	8AH	Option
GZD-AAL16	1600lm	12AH	/



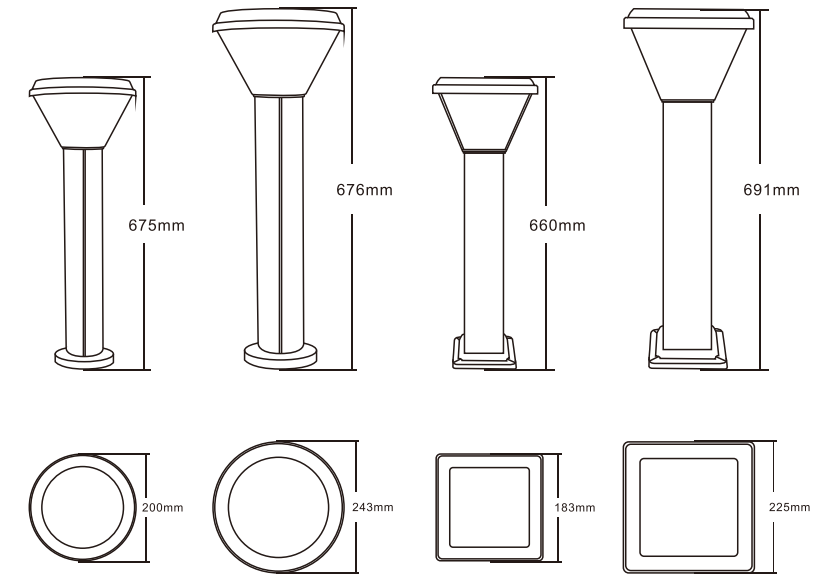
# Solar Post Light

**ZTD Series**

12-14 hours lighting time after full charge  
Unique & charming.



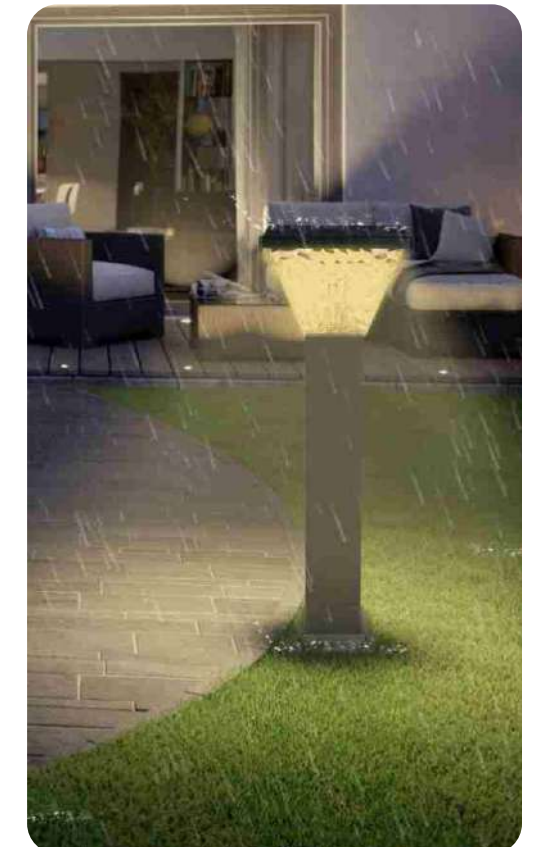
**ZTD Series**



**PRODUCT ADVANTAGES AND FEATURES**

- ▶ Highlight
- ▶ Solar Charging
- ▶ Easy Installation
- ▶ Long standby time

Model NO.	Lumen	Battery	Solar Panel
ZTD-XY	350lm	1.8AH 3.2V	1.5W/5V
ZTD-DY	600lm	3.6AH 3.2V	3W/5V
ZTD-XF	350lm	1.8AH 3.2V	1.8W/5V
ZTD-DF	600lm	3.6AH 3.2V	4.5W/5V



**Thank you.**